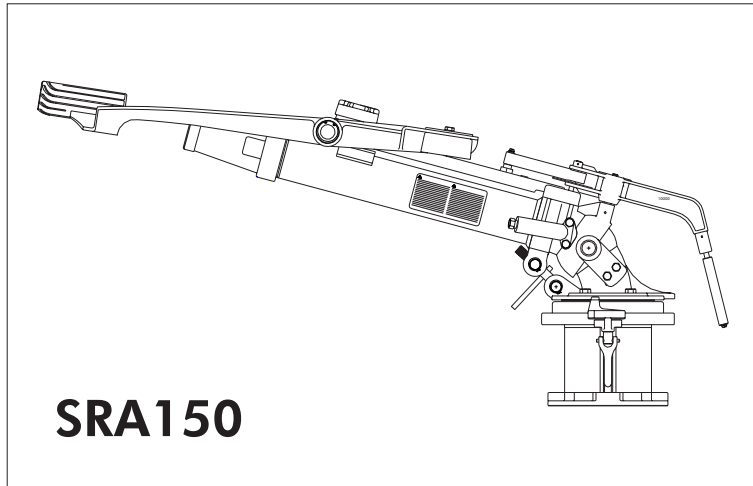


innovation in irrigation™

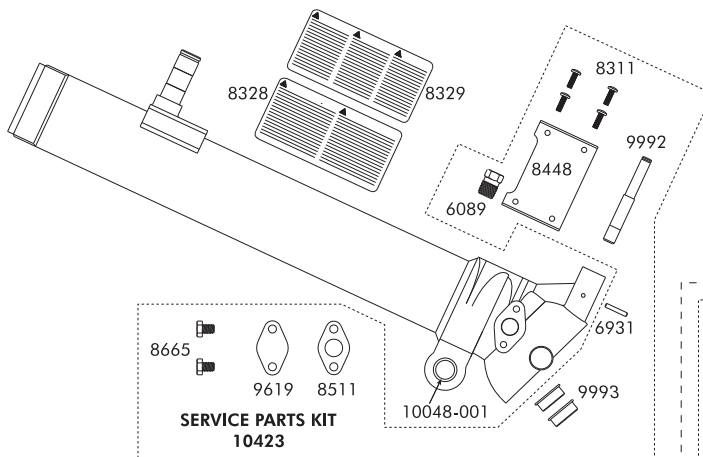
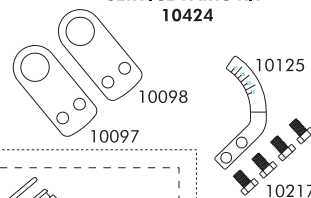
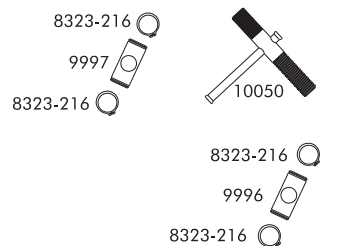
**NELSON****SRA150 BIG GUN®****SRA150 BIG GUN® PARTS LIST**

part number	description	qty.
<b>10054-001</b>	<b>BODY ASSEMBLY, SRA150</b>	
6089	3RN Plug	1
6931	Pin, Coiled Spring, .125" x .75"	1
8311	Screw, 8-32 x .375" Self Tapping Pan Hd	4
8328	Warning Label (English, Spanish)	1
8329	Warning Lbl. (German, French, Swedish)	1
8448	Stop Bracket — SR150	1
8511	Gasket, Secondary Nozzle — SR150	1
8665	Screw, .25-20 x .375" Hex Head Cap	2
9619	Cover Plate, Secondary Elbow Port	1
9992	Shaft, Trip Lever — SRA150	1
9993	Bushing, Rotation — SRA150	2

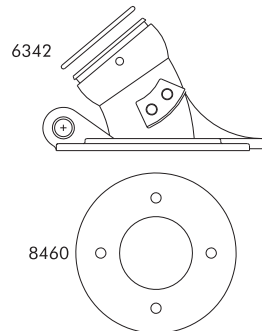
part number	description	qty.
<b>10116-001</b>	<b>BALL ASSEMBLY, ELBOW</b>	
6342	O-Ring, -232	1
8460	Gasket, Elbow — SR150	1

part number	description	qty.
<b>10422</b>	<b>TURNBUCKLE SERVICE KIT</b>	
8323-216	Ring, Retaining, -62 Basic External	4
9996	Guide, Turnbuckle Rod, LH Thd.	1
9997	Guide, Turnbuckle Rod, RH Thd.	1
10050	Turnbuckle Assembly	1

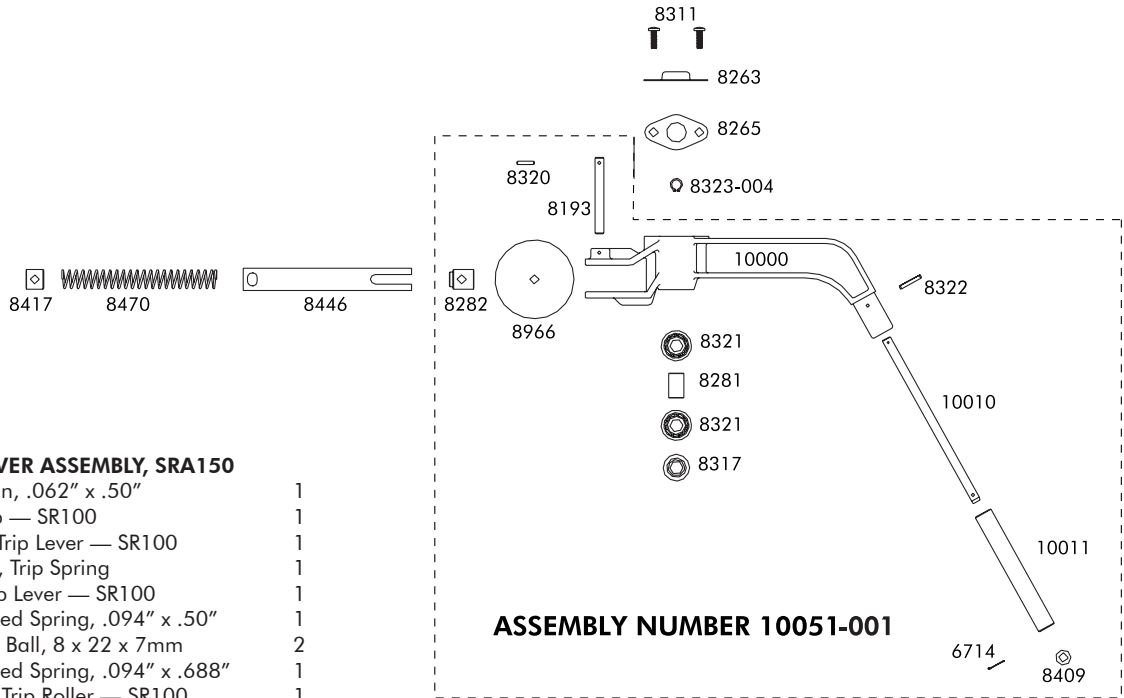
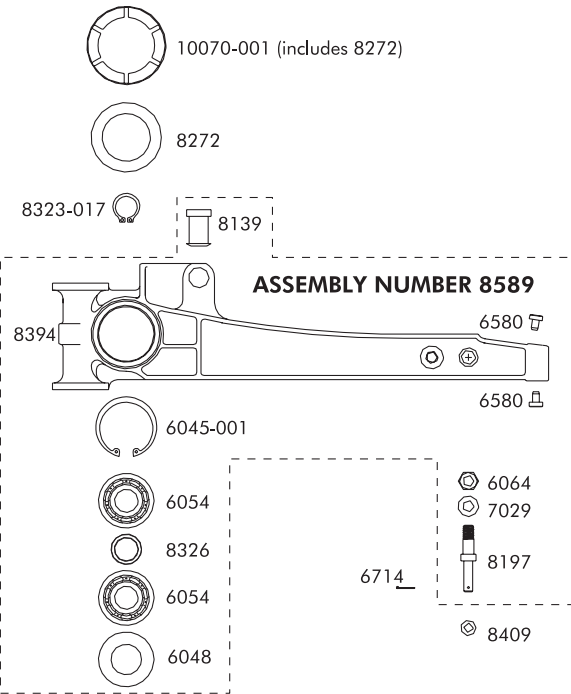
part number	description	qty.
<b>10423</b>	<b>BODY ASSEMBLY SERVICE KIT</b>	
6089	3RN Plug	1
6931	Pin, Coiled Spring, .125" x .75"	1
8311	Screw, 8-32 x .375" Self Tapping Pan Hd	4
8448	Stop Bracket — SR150	1
8511	Gasket, Secondary Nozzle — SR150	1
8665	Screw, .25-20 x .375" Hex Head Cap	2
9619	Cover Plate, Secondary Elbow Port	1
9992	Shaft, Trip Lever — SRA150	1
9993	Bushing, Rotation — SRA150	2

**ASSEMBLY NUMBER 10054-001****SERVICE PARTS KIT 10424****SERVICE PARTS KIT 10422**

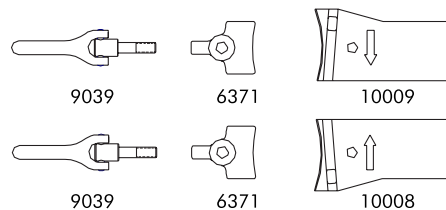
part number	description	qty.
<b>10424</b>	<b>ROTATION LUG SERVICE KIT</b>	
10097	Lug Rotation, Left Side	1
10098	Lug Rotation, Right Side	1
10125	Indicator, Angle — SRA150	1
10217	Screw, .312-18 x .625 Hex Head Cap	4

**ASSEMBLY NUMBER 10116-001**

8589	SHIFT LEVER ASSEMBLY, SR150	
part number	description	qty.
6045-001	Ring, Retaining, -156 Basic Int, Coated	1
6048	Seal, Oil	1
6054	Bearing, Ball, .17 x 40 x 12mm	2
6064	Nut, 5/16-18 Finished Hex	1
6580	Insert, Rest Pad	2
7029	Washer, .312" Spring Lock	1
8139	Bumper	1
8197	Pin, Shift — SR100	1
8326	Spacer, Shift Lever — SR100	1
8394	Lever, Shift — SR150	1

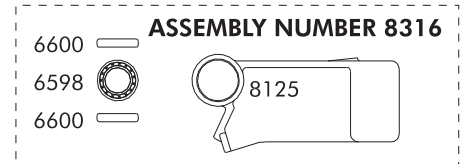
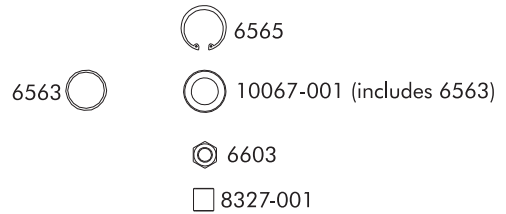


10051-001	TRIP LEVER ASSEMBLY, SRA150	
6714	Cotter Pin, .062" x .50"	1
8193	Pin, Stop — SR100	1
8281	Spacer, Trip Lever — SR100	1
8282	Follower, Trip Spring	1
8317	Seal, Trip Lever — SR100	1
8320	Pin, Coiled Spring, .094" x .50"	1
8321	Bearing, Ball, 8 x 22 x 7mm	2
8322	Pin, Coiled Spring, .094" x .688"	1
8409	Washer, Trip Roller — SR100	1
8966	Washer, Trip Lever — SR150	1
10000	Trip Lever — SRA150	1
10010	Shaft, Roller — SRA150	1
10011	Roller — SRA150	1

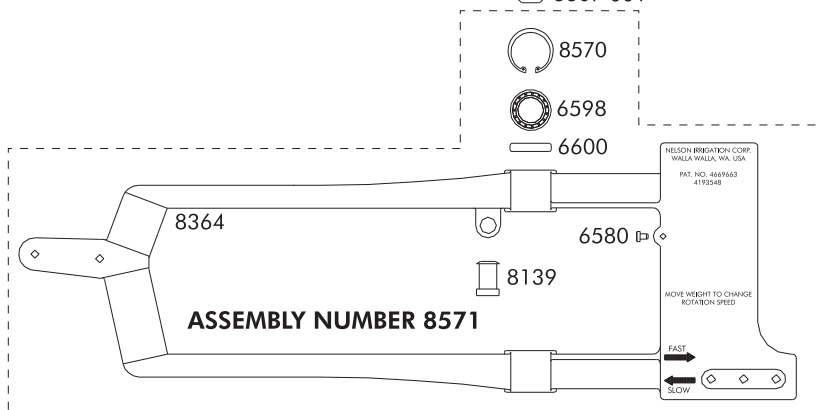
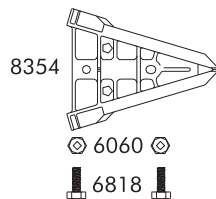


8316	COUNTERWEIGHT ASSEMBLY, SR100	
part number	description	qty.
6598	Bearing, Ball, 12 x 32 x 10mm	1
6600	Seal, Oil	2
8125	Counterweight — SR100	1

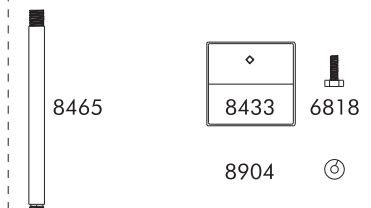
8571	DRIVE ARM ASSEMBLY, SR150	
part number	description	qty.
6580	Insert, Rest Pad	1
6598	Bearing, Ball, 12 x 32 x 10mm	2
6600	Seal, Oil	2
8139	Bumper	1
8364	Arm, Drive — SR150	1
8570	Ring, Retaining, -125 Basic Int, Coated	1



6607-001



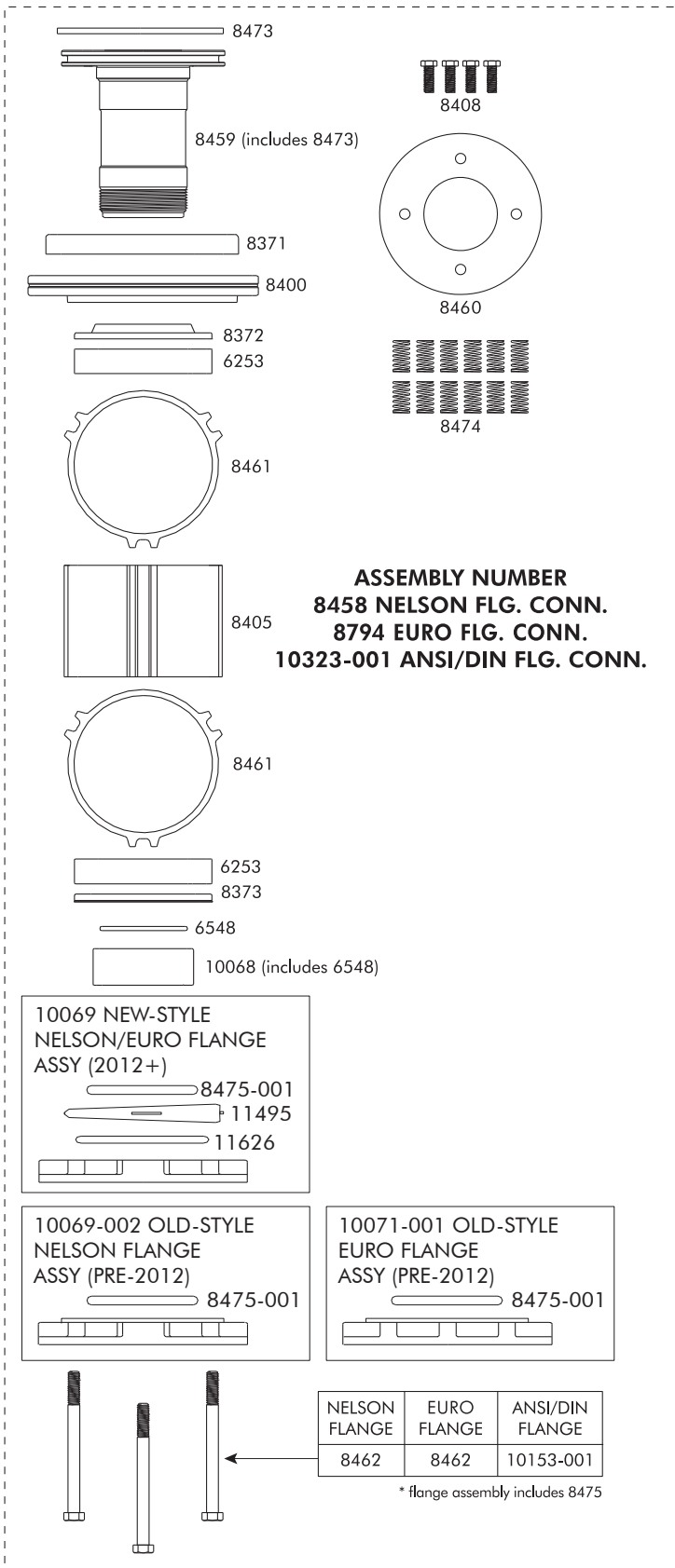
FINAL ASSEMBLY COMPONENTS, SRA150		
part number	description	qty.
6060	Nut, .25-20 Finished Hex	2
6371	Clamp — SR150	2
6563	O-Ring, -024	1
6565	Ring, Retaining, -125 Basic Internal	2
6603	Nut, .438-20 Special	2
6607-001	Spacer, Cone, Teflon Coated	2
6714	Pin, Cotter, 1/16" x 1/2" Lg.	1
6818	Screw, .25-20 x .75" Hex Hd Cap	3
8263	Cap, Trip Lever — SR100	1
8265	Gasket, Trip Lever Cap — SR100	1
8311	Screw, 8-32 x 1/2" Self Tapping Pan Head	2
8323-004	Ring, Retaining, -31 Basic External	1
8323-017	Ring, Retaining, -66 Basic External	1
8323-216	Ring, Retaining, -62 Basic External	4
8327-001	Spacer, Drive Arm to Counterweight	1
8354	Vane, Drive — SR150	1
8409	Washer, Trip Roller — SR100	1
8417	Stop, Trip Spring — SR100	1
8433	Weight, Drive Arm — SR150	1
8446	Guide, Spring — SR150	1
8465	Shaft, Drive Arm — SR150	1
8470	Spring, Trip — SR150	1
8904	Washer, .25" Spring Lock	1
9039	Flex Handle Assembly	2
9996	Guide — Left Hand Thread — SRA150	1
9997	Guide — Right Hand Thread — SRA150	1
10008	Stop, CW — SRA150	1
10009	Stop, CCW — SRA150	1



6607-001



10050	Turnbuckle Assembly — SRA150	1
10067-001	Cap Assembly, Arm Bearing	2
10097	Lug, Rotation, Left Side — SRA150	1
10098	Lug, Rotation, Right Side — SRA150	1
10125	Indicator, Angle — SRA150	1
10217	Screw, .312-18 x .625" Hex Hd Cap	4



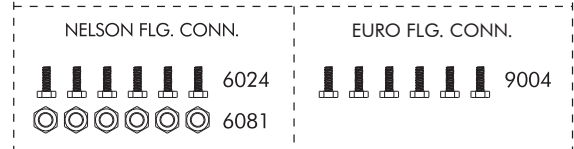
### BEARING ASSEMBLY HD150

part number	description	qty.
6253	Bearing, Ball, 70 x 110 x 20mm	2
6548	O-Ring -230	1
8371	Brake — HD150	1
8372	Seal, Upper — HD150	1
8373	Seal, Center — HD150	1
8400	Cover — HD150	1
8405	Housing — HD150	1
8408	Screw, .312-18 x .875" Hex Hd Cap	4
8459	Stem Assembly — HD150	1
8460	Gasket, Elbow — HD150	1
8461	Gasket, Housing — HD150	2
8462	Screw, .375-16 x 4.50" Hex Hd Cap	3
8473	Seal, Dust — HD150	1
8474	Spring, Brake — HD150	12
8475-001	O-Ring -338 w/ Grease & Graphite	1
10068	Retainer Assembly — HD150	1
10069	Flange Assy, Nelson/Euro — HD150	1
10069-002	Flange Assy, Nelson, Brass — HD150	1
10071-001	Flange Assy, Euro, Brass — HD150	1
10153-001	Screw, 3/8-16 x 4.50" Hex Skt Hd Cap	3
10322-001	Flange Assy, ANSI/DIN 3" — HD150	1

### MOUNTING HARDWARE

6023	Gasket, Nelson/Euro Flange	1
6024	Screw, .375-16 x 1.50" Hex Hd Cap	6
6081	Nut, .375-16 Finished Hex	6
9004	Screw, M8 x 1.25 x 25 mm Hex Hd Cap	6

### FASTENERS FOR MOUNTING



### WARRANTY AND DISCLAIMER

Nelson Big Gun sprinklers are warranted for one year from date of original sale to be free of defective materials and workmanship when used within the working specifications for which the product was designed and under normal use and service. The manufacturer assumes no responsibility for installation, is limited solely to replacement or repair of defective parts, and the manufacturer will not be liable for any crops or other consequential damages resulting from any defects or breach of warranty. THIS WARRANTY IS EXPRESSLY IN LIEU OF ALL OTHER WARRANTIES, EXPRESS OR IMPLIED, INCLUDING THE WARRANTIES OF MERCHANTABILITY AND FITNESS FOR PARTICULAR PURPOSES AND OF ALL OTHER OBLIGATIONS OR LIABILITIES OF MANUFACTURER. No agent, employee or representative of the manufacturer has authority to waive, alter or add to the provision of the warranty, nor to make any representations or warranty not contained herein.