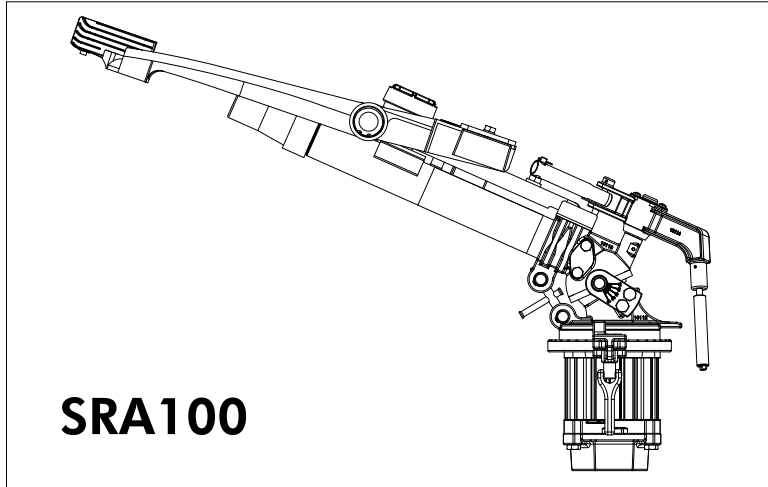


innovation in irrigation™



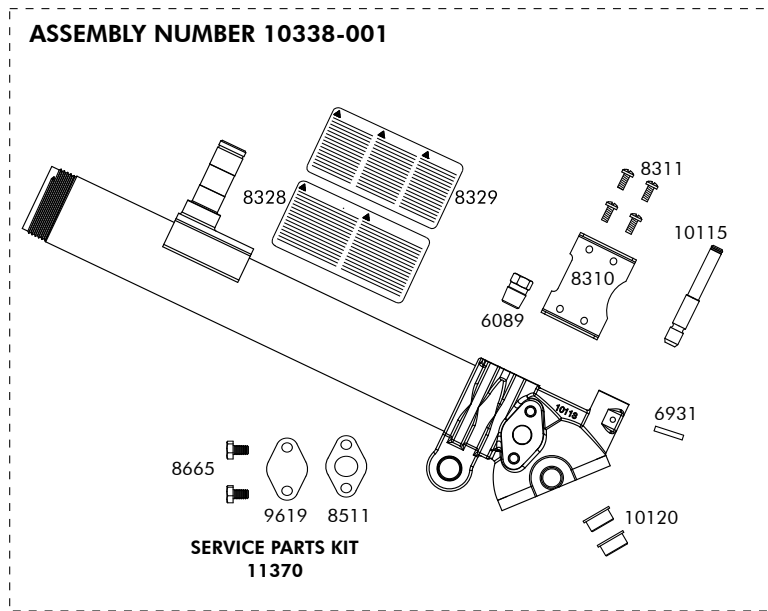
SRA100 BIG GUN®

SRA100 BIG GUN® PARTS LIST



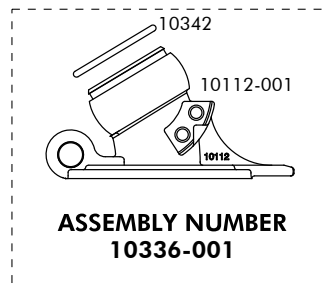
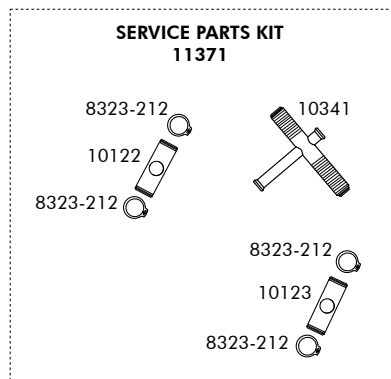
part number	description	qty.
10342	O-Ring, -225	1
10112-001	Ball, Elbow — SRA100	1

10338-001 BODY ASSEMBLY, SRA100		
6089	3RN Plug	1
6931	Pin, Coiled Spring, .125" x .75"	1
8310	Shifter Stop — SR100	1
8311	Screw, 8-32 x .375" Self Tapping Pan Hd	4
8328	Warning Label (English, Spanish)	1
8329	Warning Lbl. (German, French, Swedish)	1
8310	Shifter Stop — SR100	1
8511	Gasket, Secondary Nozzle — SR100	1
8665	Screw, .25-20 x .375" Hex Head Cap	2
9619	Cover Plate, Secondary Elbow Port	1
10115	Shaft, Trip Lever — SRA100	1
10120	Bushing, Rotation — SRA100	2

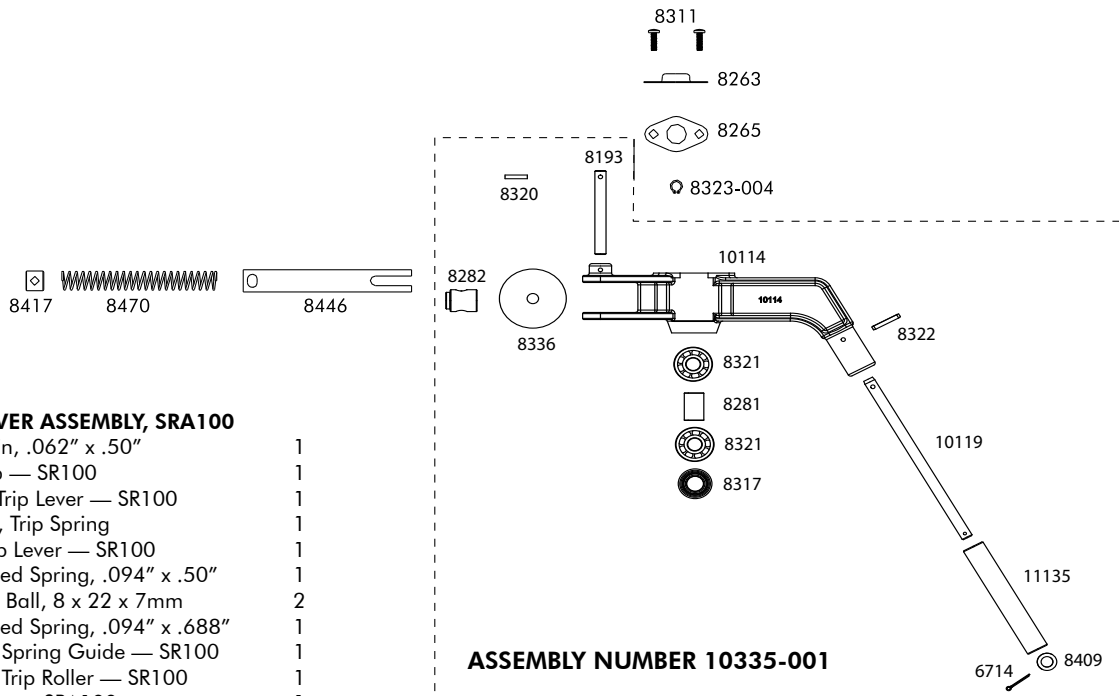
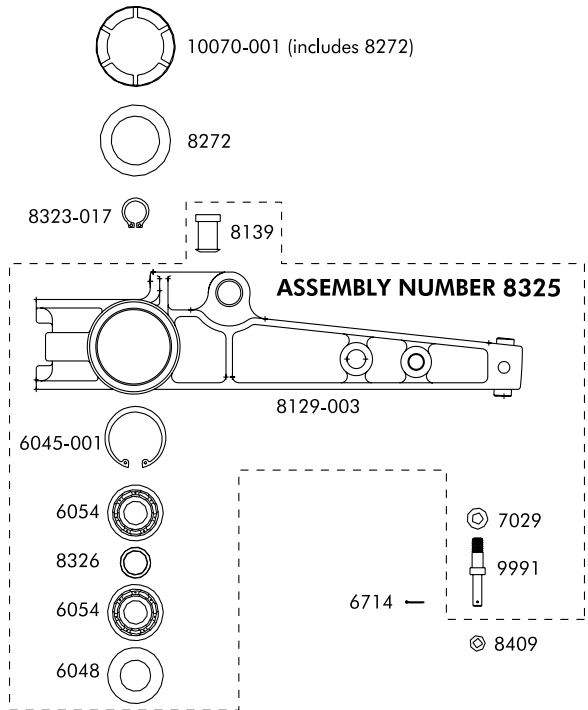


11370 BODY ASSEMBLY SERVICE KIT		
6089	3RN Plug	1
6931	Pin, Coiled Spring, .125" x .75"	1
8310	Shifter Stop — SR100	1
8311	Screw, 8-32 x .375" Self Tapping Pan Hd	4
8511	Gasket, Secondary Nozzle — SR100	1
8665	Screw, .25-20 x .375" Hex Head Cap	2
9619	Cover Plate, Secondary Elbow Port	1
10115	Shaft, Trip Lever — SRA100	1
10120	Bushing, Rotation — SRA100	2

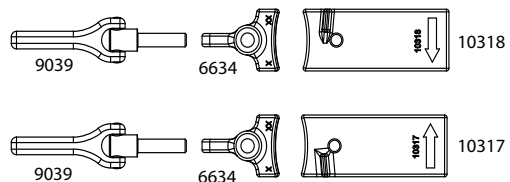
11371 TURNBUCKLE SERVICE KIT		
8323-212	Ring, Retaining, -50 Basic External	4
10122	Guide, Turnbuckle Rod, RH Thd.	1
10123	Guide, Turnbuckle Rod, LH Thd.	1
10341	Turnbuckle Assembly - SRA100	1



8325	SHIFT LEVER ASSEMBLY, SR100	
part number	description	qty.
6045-001	Ring, Retaining, -156 Basic Internal Coated	1
6048	Seal, Oil	1
6054	Bearing, Ball, 17 x 40 x 12mm	2
7029	Washer, .312" Spring Lock	1
8129-003	Lever, Shift — SR100	1
8139	Bumper	1
8326	Spacer, Shift Lever — SR100	1
9991	Pin, Shift, Hex Drive — SR100	1

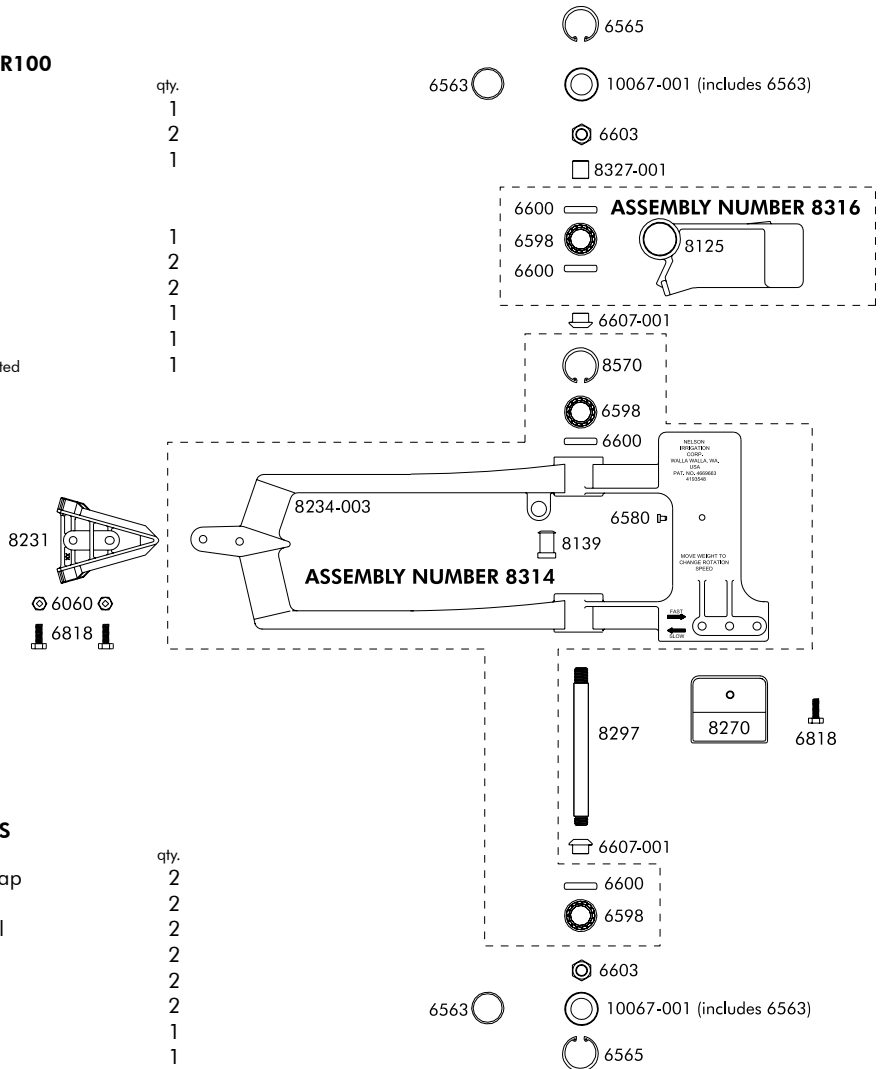


10335-001	TRIP LEVER ASSEMBLY, SRA100	
6714	Cotter Pin, .062" x .50"	1
8193	Pin, Stop — SR100	1
8281	Spacer, Trip Lever — SR100	1
8282	Follower, Trip Spring	1
8317	Seal, Trip Lever — SR100	1
8320	Pin, Coiled Spring, .094" x .50"	1
8321	Bearing, Ball, 8 x 22 x 7mm	2
8322	Pin, Coiled Spring, .094" x .688"	1
8336	Washer, Spring Guide — SR100	1
8409	Washer, Trip Roller — SR100	1
10114	Trip Lever — SRA100	1
10119	Shaft, Roller — SRA100	1
11135	Roller — SRA100	1

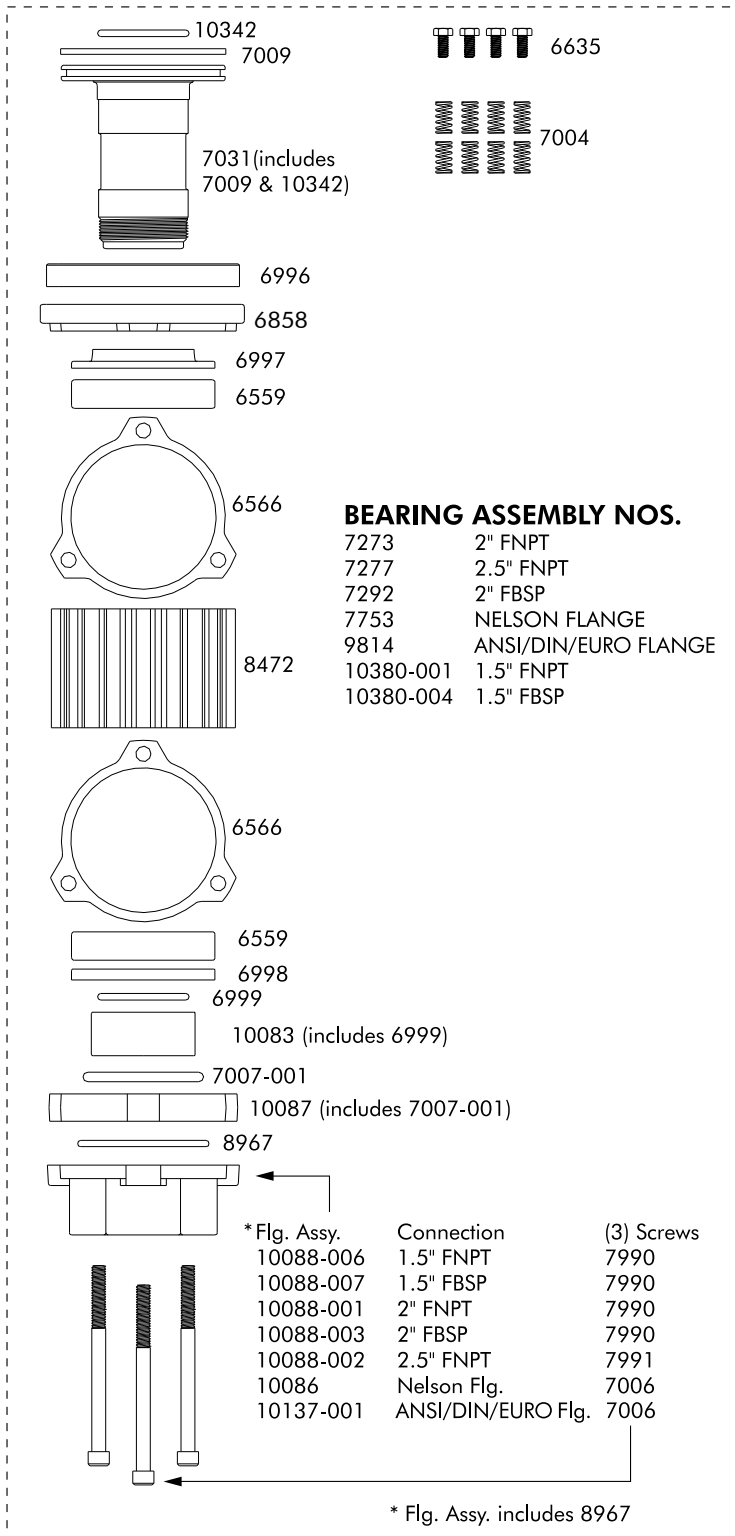


8316	COUNTERWEIGHT ASSEMBLY, SR100	
part number	description	qty.
6598	Bearing, Ball, 12 x 32 x 10mm	1
6600	Seal, Oil	2
8125	Counterweight — SR100	1

8314	DRIVE ARM ASSEMBLY, SR100	
part number	description	qty.
6580	Insert, Rest Pad	1
6598	Bearing, Ball, 12 x 32 x 10mm	2
6600	Seal, Oil	2
8139	Bumper	1
8234-003	Arm, Drive — SR100	1
8570	Ring, Retaining, -125 Basic Internal, Coated	1



	FINAL ASSEMBLY COMPONENTS	
part number	description	qty.
6134	Screw, .312-18 x 1.00", Hex Hd Cap	2
6563	O-Ring, -024	2
6565	Ring, Retaining, -125 Basic Internal	2
6603	Nut, .438-20 Special	2
6607-001	Spacer, Cone, Teflon Coated	2
6634	Clamp - SR100	2
6714	Pin, Cotter, .062" x .50"	1
8196	Guide, Spring — SR100	1
8263	Cap, Trip Lever — SR100	1
8265	Gasket, Trip Lever Cap — SR100	1
8283	Spring, Trip — SR100	1
8297	Shaft, Drive Arm — SR100	1
8311	Screw, #8-32 x .375", Self-Tapping Pan Head	4
8323-004	Ring, Retaining, -31 Basic External	1
8323-017	Ring, Retaining, -66 Basic External	1
8327-001	Spacer, Drive Arm to Cwt	1
8409	Washer, Roller — SR100	1
8417	Stop, Trip Spring	1
9039	Flex Handle Assembly	2
10067-001	Cap Assy, Arm Bearing — SR100	2
10070-001	Cap Assy, Shift Lever — SR100	1
10117	Lug, Rotation - SRA100	2
10217	Screw, .3125-18 x .625", Hex Hd Cap	4
10317	Stop, CW - SRA100	1
10318	Stop, CCW - SRA100	1

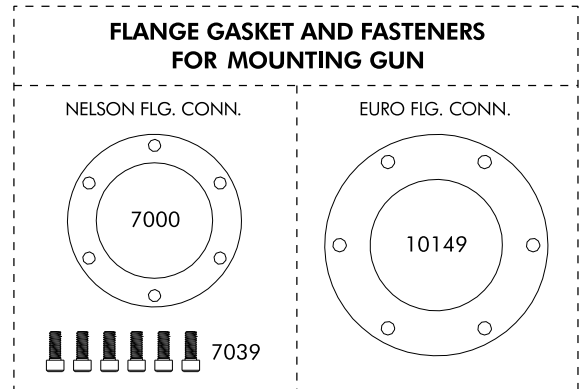


BEARING ASSEMBLY, SR100

part number	description	qty.
6559	Bearing, Ball, 50 x 80 x 16mm	2
6566	Gasket, Housing - HD100	2
6635	Screw, 5/16-18 x 11/16" Hex Hd. Cap	4
6858	Cover, Part Circle - HD100	1
6996	Ring, Brake - HD100	1
6997	Seal, Upper - HD100	1
6998	Seal, Center - HD100	1
6999	O-Ring, -224	1
7004	Spring, Brake - HD100	8
7006	Screw, .312-18 x 3.50" Hex Skt Hd Cap	3
7007-001	O-Ring, -331, Special w/ Grease & Graphite	1
7009	Seal, Dust - HD100	1
7031	Shaft Assembly - HD100	1
7990	Screw, .312-18 x 4.25" Hex Hd Cap	3
7991	Screw, .312-18 x 4" Hex Skt Hd Cap	3
8472	Housing - HD100	1
8967	O-Ring -231, Special	1
10083	Retainer Assembly - HD100	1
10086	Flange Assembly, Nelson	1
10087	Spacer Assembly - HD100	1
10088-001	Flange Assembly, 2" FNPT	1
10088-002	Flange Assembly, 2.5" FNPT	1
10088-003	Flange Assembly, 2" FBSP	1
10088-006	Flange Assembly, 1.5" FNPT	1
10088-007	Flange Assembly, 1.5" FBSP	1
10137-001	Flange Assembly, ANSI/DIN/EURO	1
10342	O-Ring, -225	1

MOUNTING HARDWARE

part number	description	qty.
7000	Gasket, Flange	1
7039	Screw, .312-18 x .75" Hex Skt Hd Cap	6
10149	Gasket, Euro Flange	1



WARRANTY AND DISCLAIMER

Nelson Big Gun sprinklers are warranted for one year from date of original sale to be free of defective materials and workmanship when used within the working specifications for which the product was designed and under normal use and service. The manufacturer assumes no responsibility for installation, is limited solely to replacement or repair of defective parts, and the manufacturer will not be liable for any crop or other consequential damages resulting from any defects or breach of warranty. THIS WARRANTY IS EXPRESSLY IN LIEU OF ALL OTHER WARRANTIES, EXPRESS OR IMPLIED, INCLUDING THE WARRANTIES OF MERCHANTABILITY AND FITNESS FOR PARTICULAR PURPOSES AND OF ALL OTHER OBLIGATIONS OR LIABILITIES OF MANUFACTURER. No agent, employee or representative of the manufacturer has authority to waive, alter or add to the provision of the warranty, nor to make any representations or warranty not contained herein.