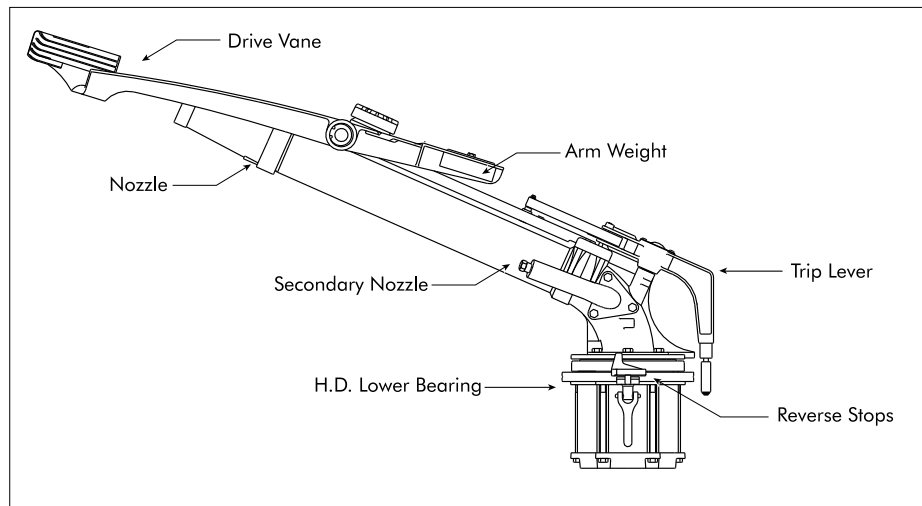


innovation in irrigation™

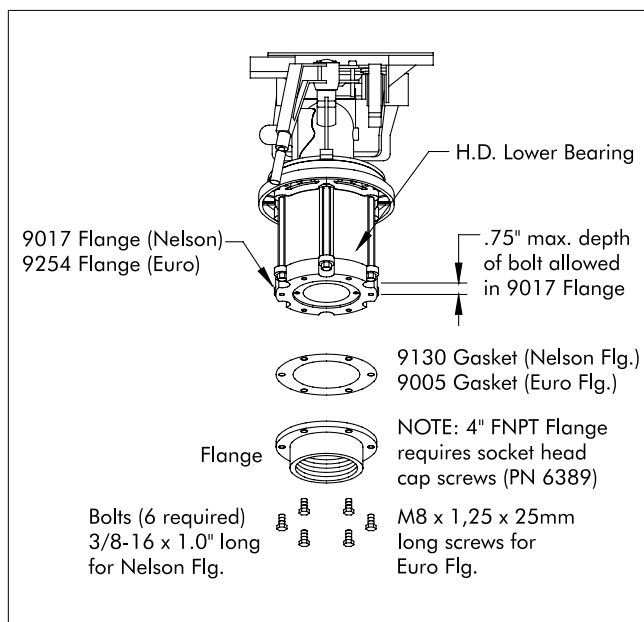
**NELSON****SR200 BIG GUN®****SR200 BIG GUN® OPERATION & ADJUSTMENT INSTRUCTIONS**

**NOTE ON LUBRICATION:** The SR200 sprinkler is lifetime lubricated and does not require periodic lubrication. The ball bearings in the H.D. lower bearing operate in a water resistant lubricant that is packed in the housing cavities and retained by seals. If repair of the lower bearing is done, it is recommended to use Nelson #6143 lubricant or a good grade of water resistant lubricant such as Lubriplate 130-AA.

**BE CAREFUL:** Read operating instructions before operating sprinkler or making any adjustments. Never make adjustments or perform service while sprinkler is in operation. Stand clear of operating sprinkler. Stand clear of high velocity water stream. Never direct water stream onto roadway or electrical transmission lines.

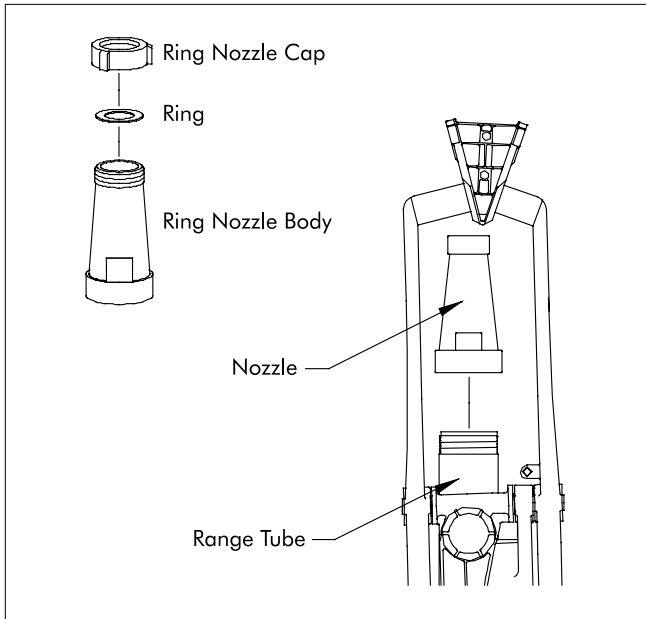
**WARRANTY AND DISCLAIMER**

Nelson Big Gun® Sprinklers are warranted for one year from date of original sale to be free of defective materials and workmanship when used within the working specifications for which the product was designed and under normal use and service. The manufacturer assumes no responsibility for installation, is limited solely to replacement or repair of defective parts, and the manufacturer will not be liable for any crop or other consequential damages resulting from any defects or breach of warranty. THIS WARRANTY IS EXPRESSLY IN LIEU OF ALL OTHER WARRANTIES, EXPRESS OR IMPLIED, INCLUDING THE WARRANTIES OF MERCHANTABILITY AND FITNESS FOR PARTICULAR PURPOSES AND OF ALL OTHER OBLIGATIONS OR LIABILITIES OF MANUFACTURER. No agent, employee or representative of the manufacturer has authority to waive, alter or add to the provision of the warranty, nor to make any representations or warranty not contained herein.

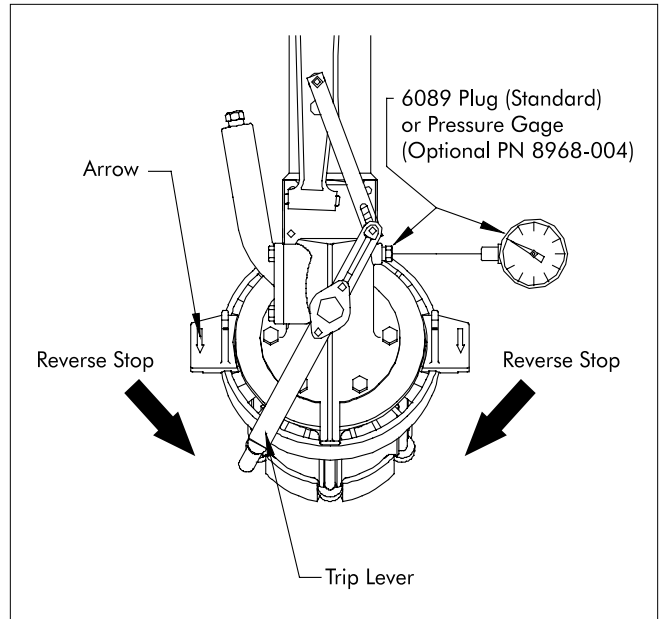


1. Securely connect SR200 Big Gun to traveller or riser designed to handle the loads of the operating sprinkler. Take care not to bottom out the bolts in the flange yet allow for at least 1/2" engagement of the bolt threads.

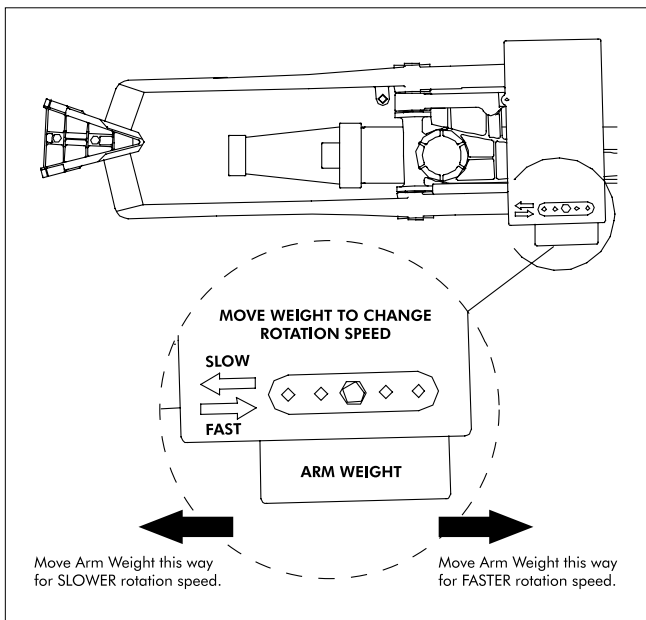
**NOTE:** 9017 Nelson Flange has a 5.75" bolt circle with six equally spaced threaded holes 3/8-16 UNC-2B x .75" deep. 9254 Euro Flange has a 5.118" (130mm) bolt circle with six equally spaced threaded holes M8 x 1,25-6H x .76" (19,3mm) deep.



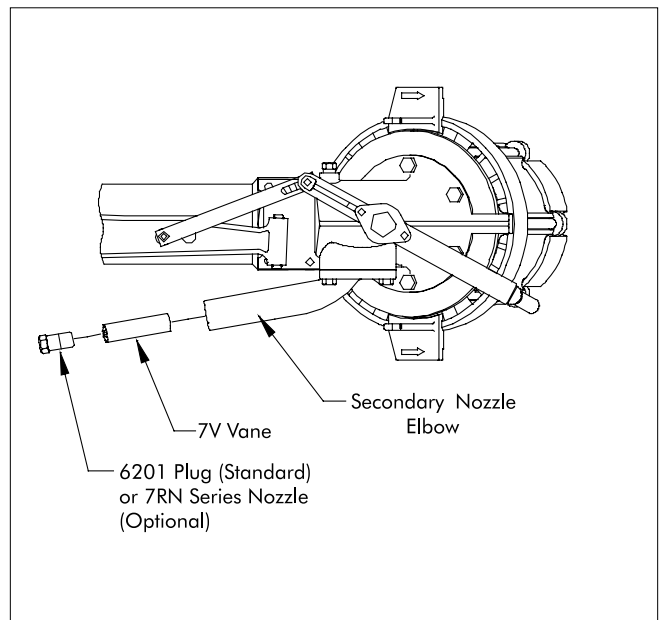
**2.** Install Nozzle on end of Range Tube. If using a Ring Nozzle, Install desired Ring size in Cap. Assure Ring is centered. Ring Nozzle Cap and Nozzle can be sufficiently tightened by hand.



**3.** Adjust location of Reverse Stops to give desired arc of coverage. Stops must be mounted such that the arrows point towards each other with the Trip Lever located between them. If the Stops are set incorrectly on the wrong end of the arc, the sprinkler will fail to reverse.



**4.** The SR200 is factory set for normal rotation speed. If a faster or slower speed is desired, move the Arm Weight backward for faster operation or forward for slower operation.



**5.** The SR200 is capable of using a Secondary Nozzle for in-close coverage. To use this feature, remove the supplied 6201 Plug and replace with the 7RN Series Nozzle of your choice. The supplied 7V Vane must be used to maintain proper stream integrity.