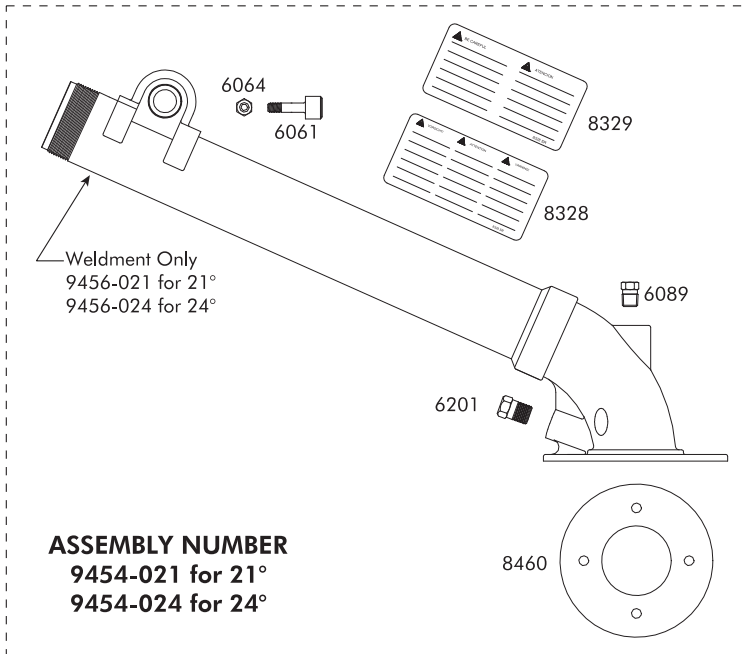
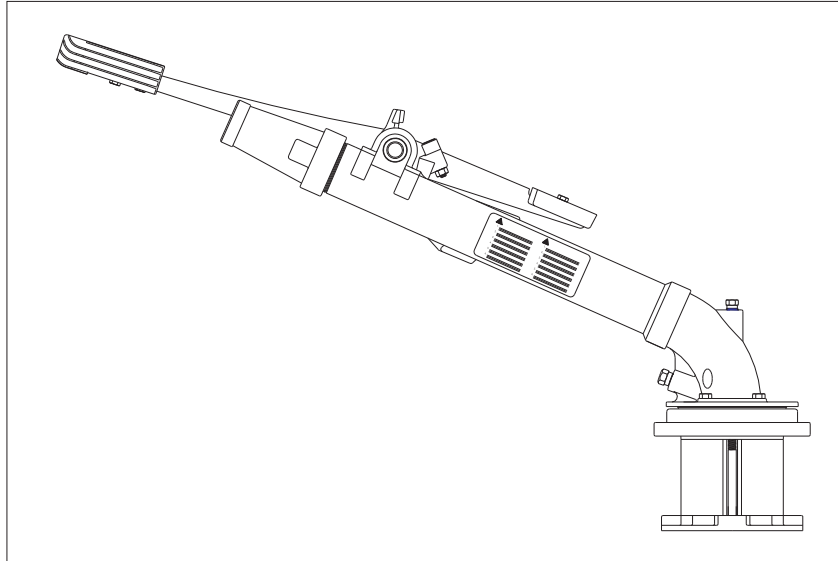


innovation in irrigation™

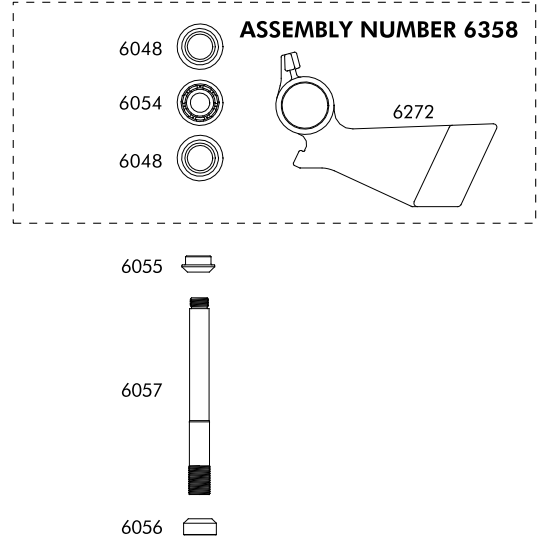
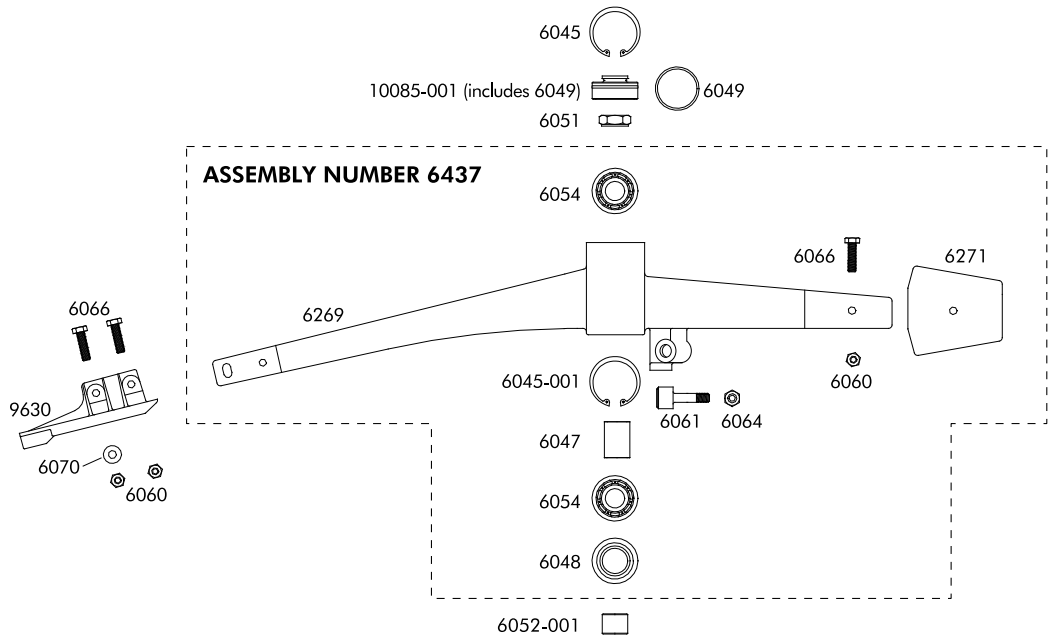


F150 BIG GUN®

F150 BIG GUN® PARTS LIST



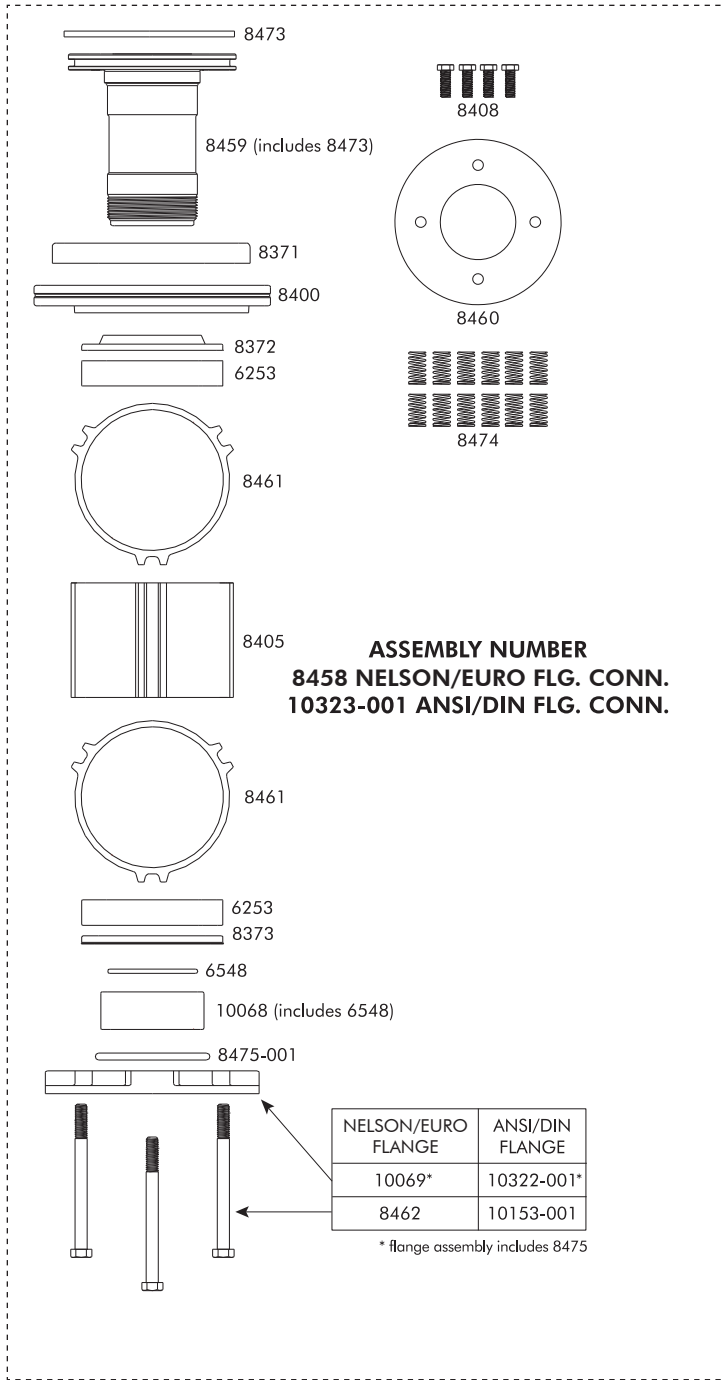
9454-XXX	BODY ASSEMBLY, F150	qty.
part number	description	
6061	Bumper Assembly	1
6064	Nut, .3125-18 Finished Hex	1
6089	3RN Plug	1
6201	Plug	1
8328	Label, Warning — English, Spanish	1
8329	Label, Warning — French, German, Swedish	1
8460	Gasket, Elbow — SR150	1
9456-021	Tube & Elbow Assy, 21° — F150	1
9456-024	Tube & Elbow Assy, 24° — F150	1



6437	DRIVE ARM ASSEMBLY, F150	
part number	description	qty.
6045-001	Ring, Retaining, -156 Basic Int, Phos Coated	1
6047	Spacer, Arm Bearing — F200	1
6048	Seal, Oil	1
6054	Bearing, Ball, 17 x 40 x 12 mm	2
6060	Nut, .25-20 Finished Hex	1
6061	Bumper Assembly	1
6064	Nut, .3125-18 Finished Hex	1
6066	Screw, .25-20 x 1.00" Hex Head Cap	1
6269	Arm, Drive — F150	1
6271	Weight, Drive Arm — F150	1

6358	COUNTERWEIGHT ASSEMBLY, F150	
6048	Seal, Oil	2
6054	Bearing, Ball, 17 x 40 x 12mm	1
6272	Counterweight — F150	1

FINAL ASSEMBLY COMPONENTS, F150		
part number	description	qty.
6045	Ring, Retaining, -156 Basic Internal	1
6051	Nut, .625-18 Special	1
6052-001	Spacer, Drive Arm to Counterweight — F200	1
6055	Spacer, Cwt to Brkt — F200	1
6056	Nut, .75-16 Centering — F150	1
6057	Shaft, Drive Arm — F150	1
6060	Nut, .25-20 Finished Hex	2
6066	Screw, .25-20 x 1.00" Hex Head Cap	2
6070	Washer, .25" Plain, .281 x .625 x .065	1
8408	Screw, .3125-18 x .875" Hex Head Cap	4
9630	Spoon, Drive — F150	1
10085-001	Cap Assy, Arm Bearing — SR200	1



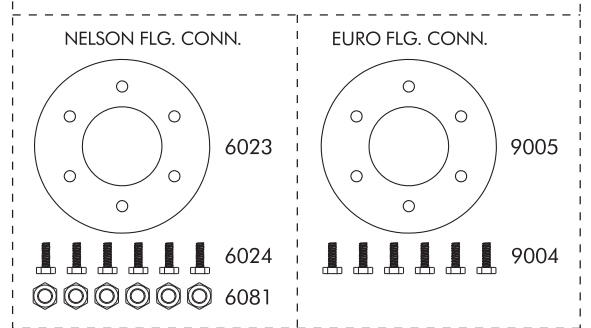
BEARING ASSEMBLY HD150

part number	description	qty.
6253	Bearing, Ball	2
6548	O-Ring -230	1
8371	Brake	1
8372	Seal, Upper	1
8373	Seal, Center	1
8400	Cover	1
8405	Housing	1
8408	Screw, 5/16-18 x 7/8" Hex Hd Cap	4
8459	Stem Assembly	1
8460	Gasket, Elbow	1
8461	Gasket, Housing	2
8462	Screw, Hex Cap, 3/8-16 x 4 1/2" LG.	3
8473	Seal, Dust	1
8474	Spring, Brake	12
8475-001	O-Ring -338 w/ Grease & Graphite	1
10068	Retainer Assembly	1
10069	Nelson/Euro Flange Assy	1
10153-001	Screw, 3/8-16 x 4.50" Hex Skt Hd Cap	3
10322-001	ANSI/DIN 3" Flange Assy	1

MOUNTING HARDWARE

6023	Gasket, Flange	1
6024	Bolt, 3/8-16 x 1 1/2" LG.	6
6081	Nut, 3/8-16	6
9004	Screw, M8 x 1.25 x 25 mm Hex Hd Cap	6
9005	Gasket, Euro Flange	1

FLANGE GASKET AND FASTENERS FOR GUN MOUNTING



WARRANTY AND DISCLAIMER

Nelson Big Gun sprinklers are warranted for one year from date of original sale to be free of defective materials and workmanship when used within the working specifications for which the product was designed and under normal use and service. The manufacturer assumes no responsibility for installation, is limited solely to replacement or repair of defective parts, and the manufacturer will not be liable for any crop or other consequential damages resulting from any defects or breach of warranty. THIS WARRANTY IS EXPRESSLY IN LIEU OF ALL OTHER WARRANTIES, EXPRESS OR IMPLIED, INCLUDING THE WARRANTIES OF MERCHANTABILITY AND FITNESS FOR PARTICULAR PURPOSES AND OF ALL OTHER OBLIGATIONS OR LIABILITIES OF MANUFACTURER. No agent, employee or representative of the manufacturer has authority to waive, alter or add to the provision of the warranty, nor to make any representations or warranty not contained herein.