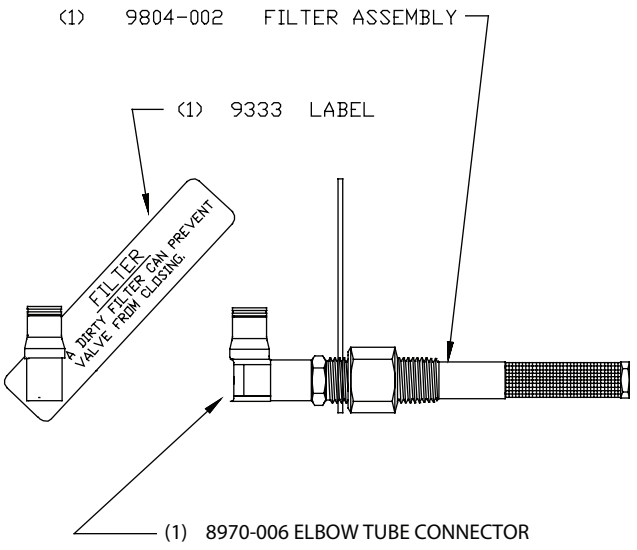
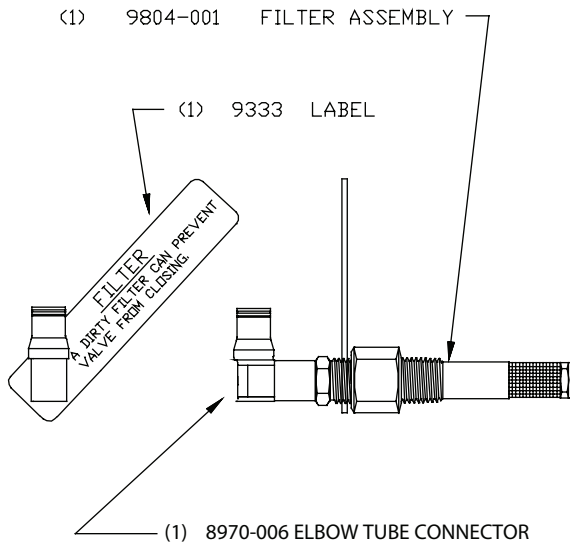


INTERNAL FILTER KIT

PN 9805-XXX

H3* FOR USE ON 2" & 3" SIZE VALVES
SUFFIX -001

H3 FOR USE ON 4", 6", & 8" SIZE VALVES
SUFFIX -002

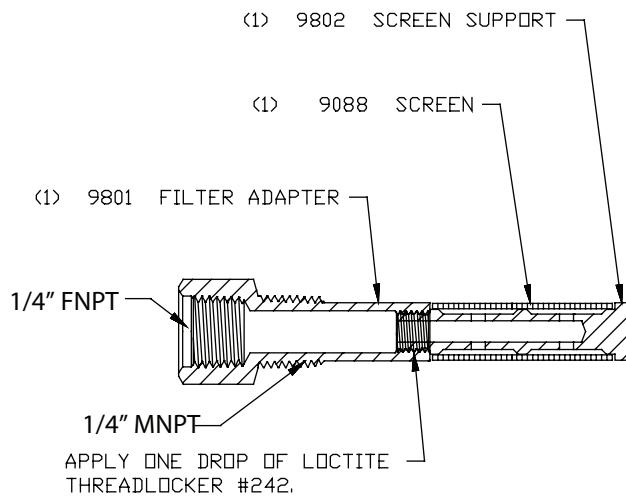
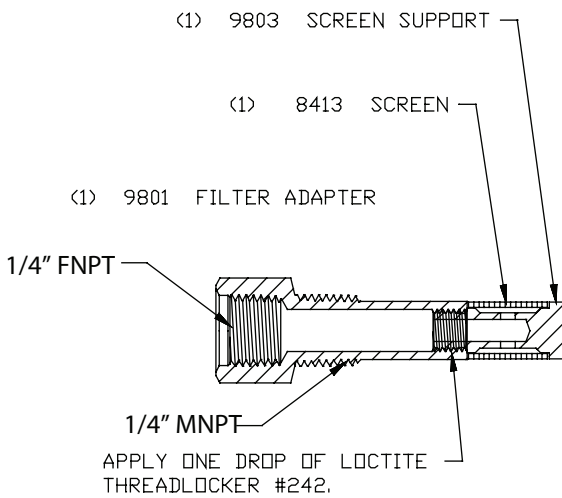


INTERNAL FILTER ASSEMBLY

PN 9804-XXX

FOR USE ON 2" & 3" SIZE VALVES
SUFFIX -001

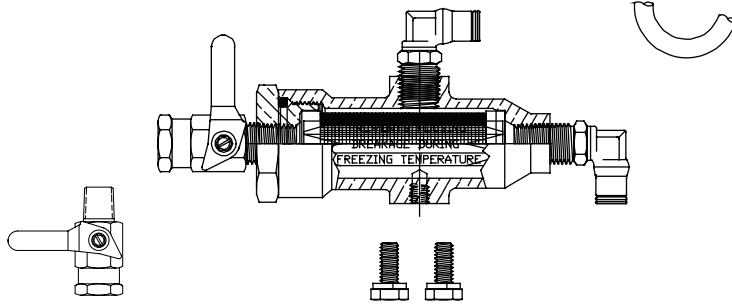
FOR USE ON 4", 6", & 8" SIZE VALVES
SUFFIX -002



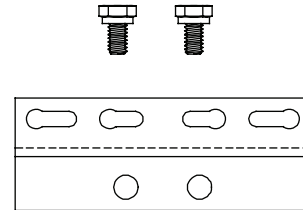
*filter screen is 100 mesh

H2 COMPLETE EXTERNAL FILTER KIT WITH BRACKET – PN 9408

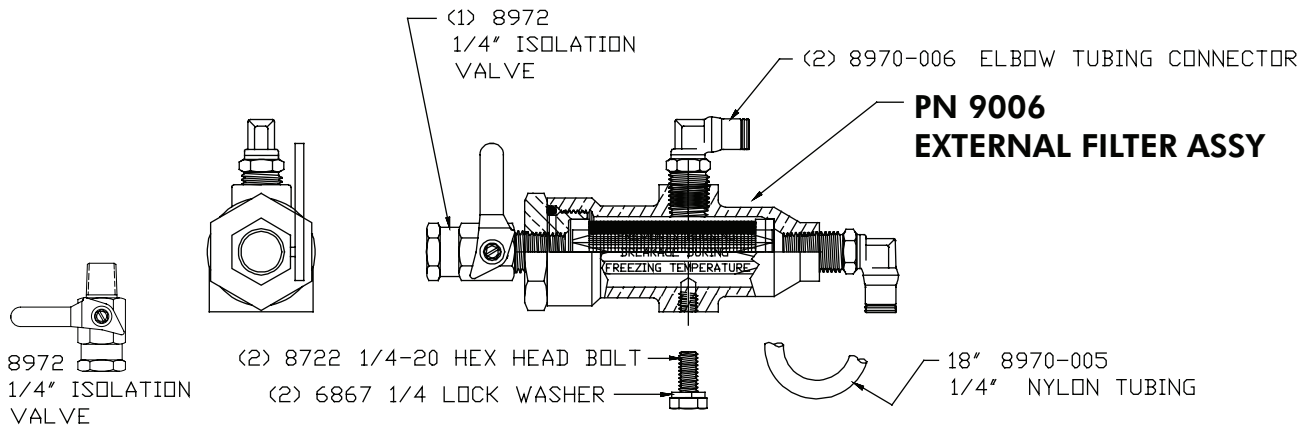
**PN 9003
EXTERNAL FILTER KIT**



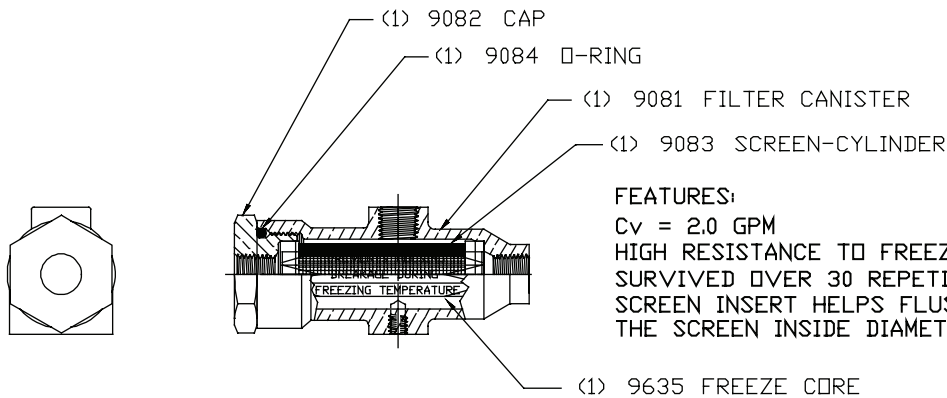
**PN 9189
MOUNTING BRACKET**



BASE UNIT WITH FITTINGS – EXTERNAL FILTER KIT – PN 9003



BASE UNIT – EXTERNAL FILTER ASSEMBLY – PN 9006

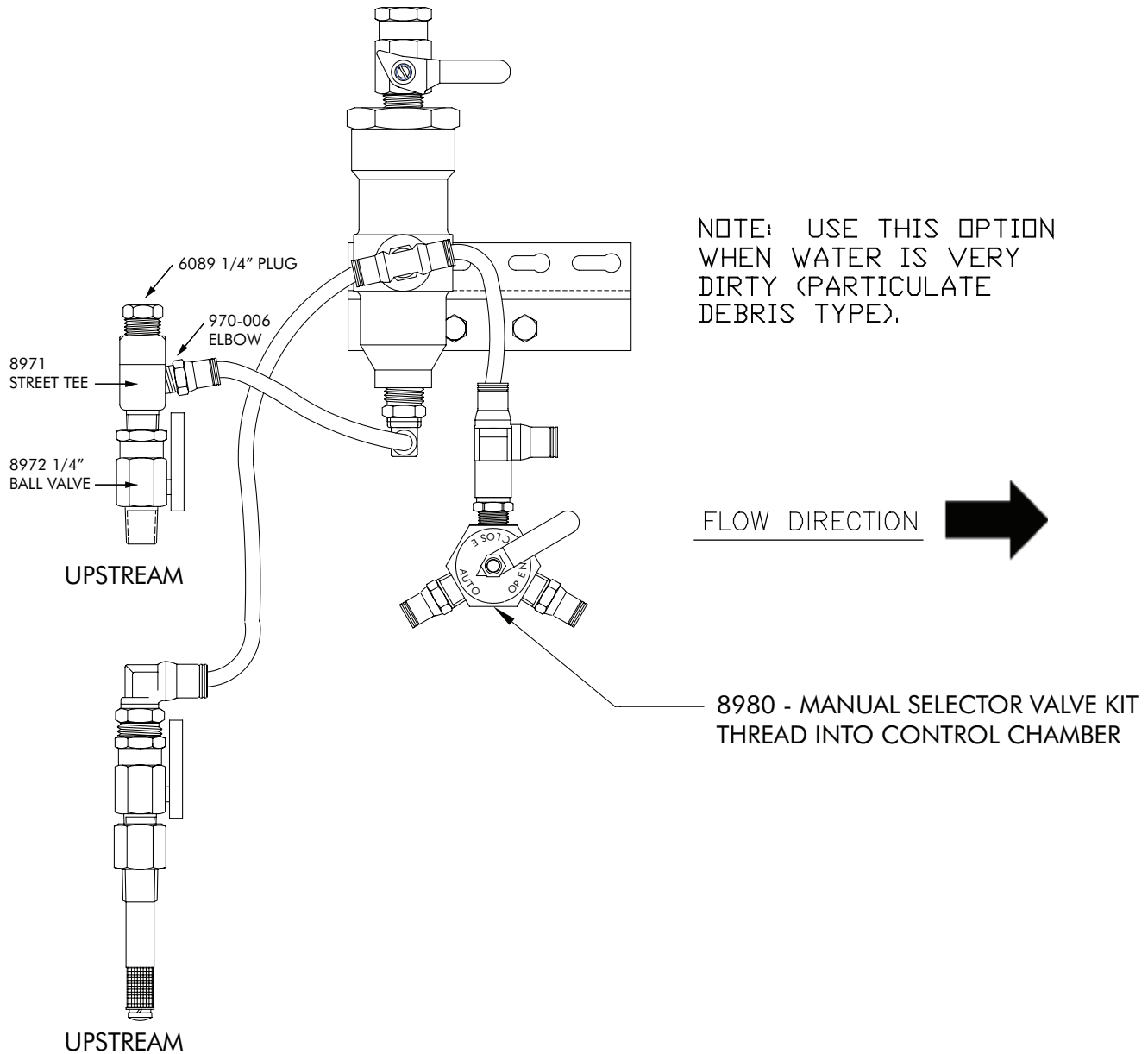


FEATURES:
 Cv = 2.0 GPM
 HIGH RESISTANCE TO FREEZE DAMAGE
 SURVIVED OVER 30 REPETITIVE FREEZE CYCLES
 SCREEN INSERT HELPS FLUSH DEBRIS OFF
 THE SCREEN INSIDE DIAMETER

DUAL FILTER OPTION (Internal and External)

THIS OPTION CAN BE ADDED TO ANY VALVE CONFIGURATION

MODEL H2 H3



DUAL FILTER OPTION (Both External)

THIS OPTION CAN BE ADDED TO ANY VALVE CONFIGURATION

MODEL H2 H2

