



ACV200 Seal Upgrade Kit

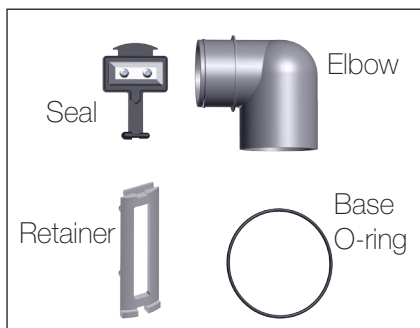
#10630 Installation

As of November 1, 2015, the seal replacement kit has been redesigned to improve sealing and chemical resistance. This upgrade is available for units manufactured after the 32nd week of 2005. Units manufactured prior to this date can be updated with part #12574, top assembly upgrade.

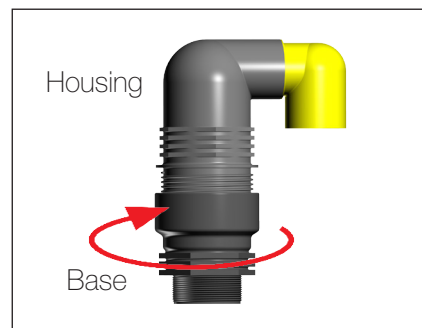


Date Code
Stamp on top of
housing

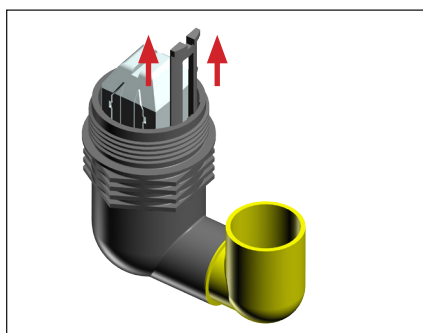
Scan this QR Code to go
directly to a video which
shows the Seal Upgrade
Kit installation



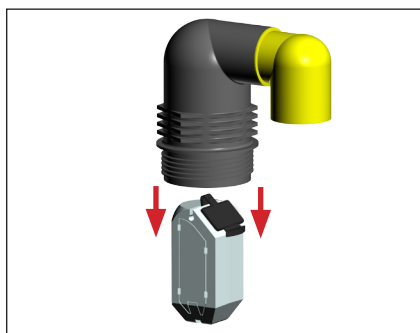
New repair kit parts.



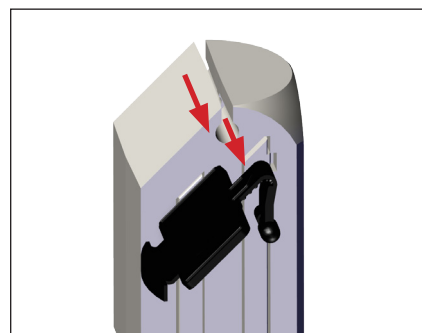
1. To begin, unscrew ACV200 housing from base.



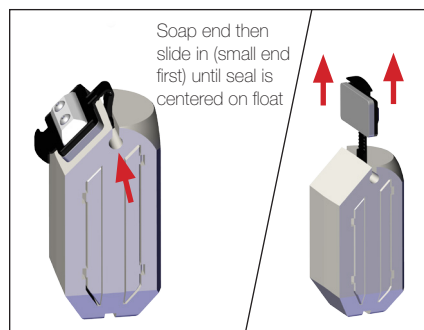
2. Use screwdriver to pry seal retainer out.



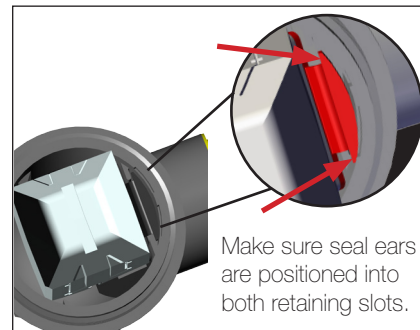
3. Pull float and seal from housing.



4. Remove old seal from float.



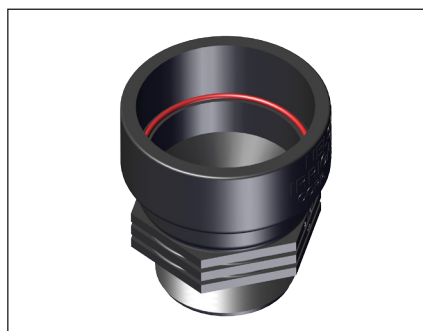
5. Slide in new seal onto float. Pull up on seal to ensure seal is centered.



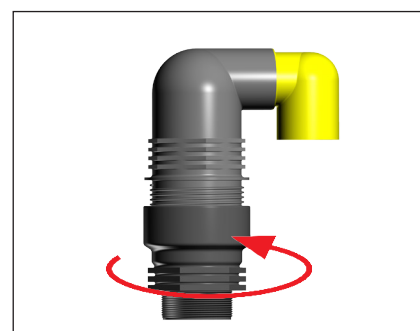
6. Carefully guide seal into slots. Use flat-head screwdriver to guide the seal in place.



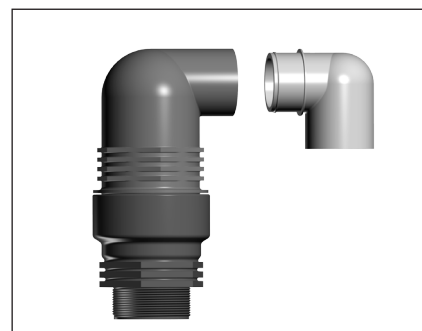
7. Slide in new retainer.



8. Replace o-ring in base.



9. Screw housing and base back together.



10. Replace yellow elbow with new gray one to clearly indicate updated ACV.