

Installation Instructions

THANK YOU FOR SELECTING THE NELSON ACV200 VALVE.

The Nelson ACV200 Air Control Valve is outstanding for controlling air in irrigation systems.

The ACV200 provides all three types of air control in one valve:

- Air Relief
- Vacuum Air Relief
- Continuous Air Release Under Pressure

The unique design of the ACV 200 automatically does all functions.

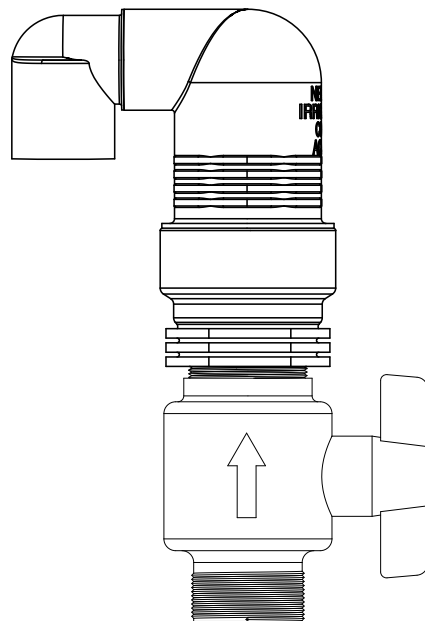
ALWAYS FLUSH THE SYSTEM BEFORE INSTALLING THE ACV200!

Special note for MAINLINE INSTALLATION, always install a manual shutoff valve beneath the ACV200! See the illustration. The reason for this recommendation is to avoid having to shut off the mainline and drain off the pressure before the ACV200 can be unplugged and reinstalled. Make special note to all people that service the ACV200 that the manual valve must be left in the open position during operation in order for the ACV200 to function.

CAUTION! Pipeline debris will tend to migrate to the ACV200 Air Control Valve on start of a new system. Occasionally debris will get caught at the seal and cause it to leak.

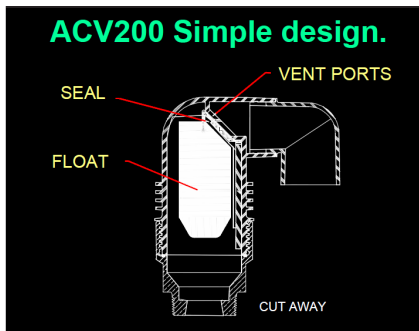
RECOMMENDATIONS:

- Use Teflon tape on the connection thread. **Do not use pipe dope.**
- Provide draining for the ACV200 in freezing weather.
- The Seal was redesigned in November 2015 to resist pump lubricants. Seal upgrade kit #10630 is available for units manufactured before this date.
- *The ACV200 has a built in turbulence suppression feature to help stabilize the float. For best performance locate the ACV200 in the pipeline where the air is separated from the water and the air can freely vent out.
- Be sure to mount the ACV200 in the upright position because the float must be free to pull the seal downward to release air.
- Refer to the Nelson “ACV200 AIR CONTROL VALVES Technical Application Guide” document for detailed information about the best practices and use of the ACV200 in irrigation systems.

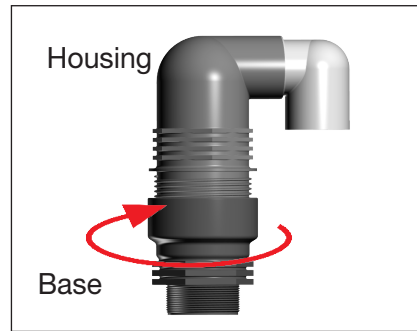


*For valves having plastic base manufactured prior to 2007 there is a base service kit available so that the turbulence suppression feature can be installed. The service kit numbers are 11144-001 for NPT and 11144-002 for BSP thread. The turbulence suppression feature is not available for the brass base version of the ACV200B.

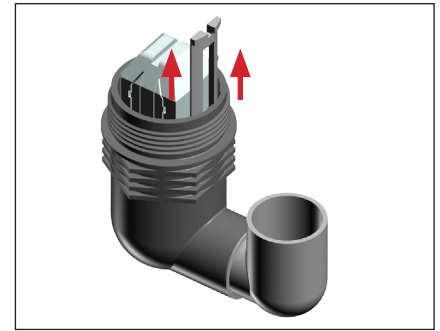
Cleaning & Assembly Instructions



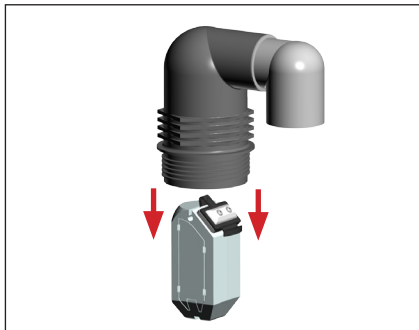
Cross-section showing parts.



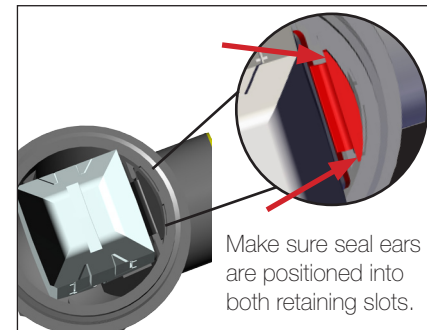
1. To begin, unscrew ACV200 housing from base.



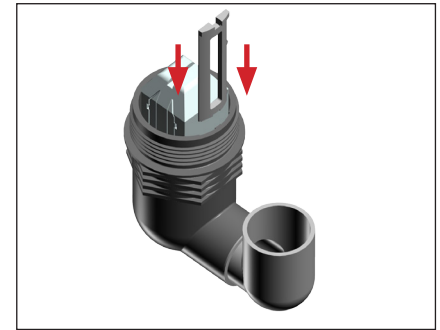
2. Use screwdriver to pry seal retainer out. Pay attention to the correct orientation of the retainer in order to simplify reassembly



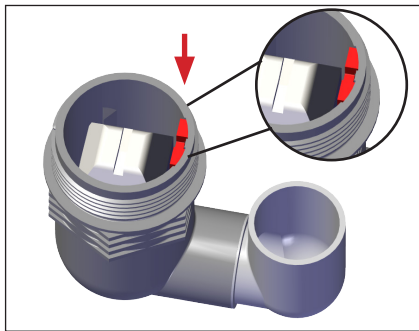
3. Pull float and seal from housing. Clean debris from housing and thoroughly flush before reassembly.



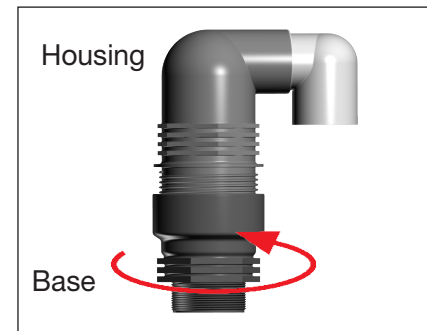
4. Carefully guide seal into slots. Use flathead screwdriver to guide the seal in place.



5. Slide in new retainer.



6. Be sure to press the retainer down all the way so that it is even with the housing edge.



7. Screw housing and base back together. The normal torque is 40 ft-lbs.

Warranty and Disclaimer Nelson Irrigation Products and Accessories are warranted for one year from date of original sale to be free of defective materials and workmanship when used within the working specifications for which the products were designed and under normal use and service. The manufacturer assumes no responsibility for installation, removal or unauthorized repair of defective parts. The manufacturer's liability under this warranty is limited solely to replacement or repair of defective parts and the manufacturer will not be liable for any crop or other consequential damages resulting from defects or breach of warranty. THIS WARRANTY IS EXPRESSLY IN LIEU OF ALL OTHER WARRANTIES, EXPRESS OR IMPLIED, INCLUDING THE WARRANTIES OF MERCHANTABILITY AND FITNESS FOR PARTICULAR PURPOSES AND OF ALL OTHER OBLIGATIONS OR LIABILITIES OF MANUFACTURER. No agent, employee or representative of the manufacturer has authority to waive, alter or add to the provisions of this warranty, nor to make any representations or warranty not contained herein.