

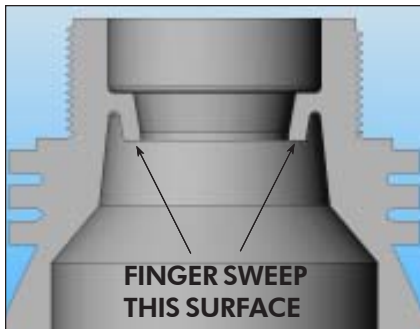
innovation in irrigation™

NELSON

ACV200 SEAT #1 1066* INSTALLATION



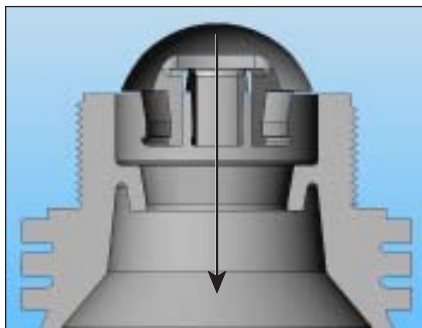
1. Check to make sure that seal is in place (turn valve upside down, seal should be in place). Finger sweep inside of base (only necessary if valve is used.)



- DETAIL 1**
Finger sweep to ensure clean surfaces.



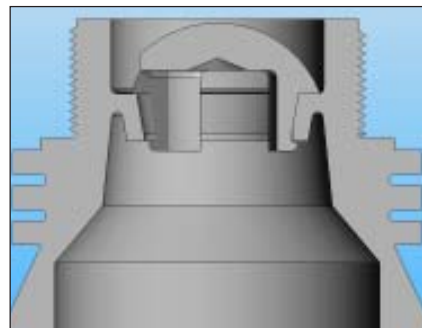
2. Hold valve upside down and place seat (dome up) over hole in base.



- DETAIL 2**
Insert seat into valve base.



3. Place palm or thumb on top of dome and press down firmly until it snaps.



- DETAIL 3**
Press seat firmly in place.



4. Check that there is NO movement in the seat to assure proper installation.



5. Screw valve back in place.



* For Plastic Base ACV200 Only