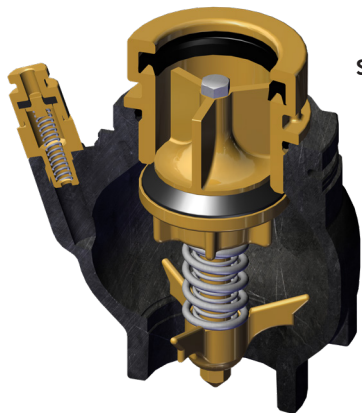


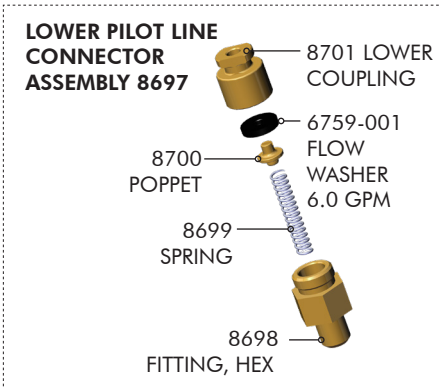
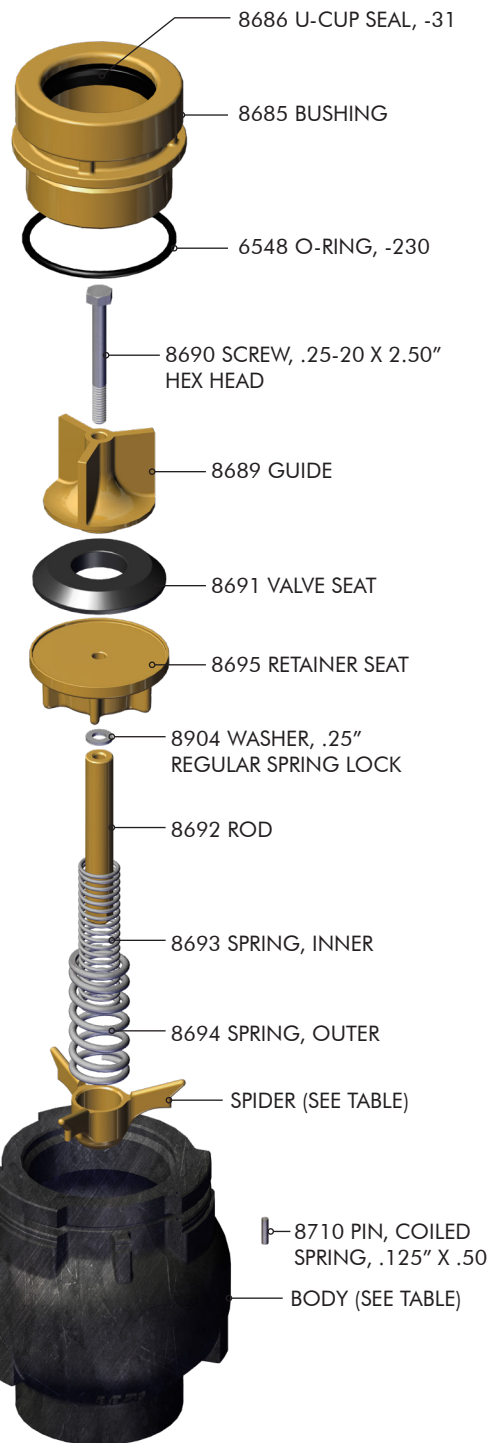
# QC100 VALVE & KEY

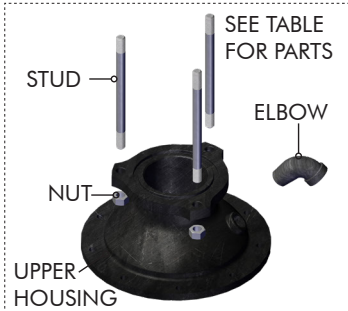
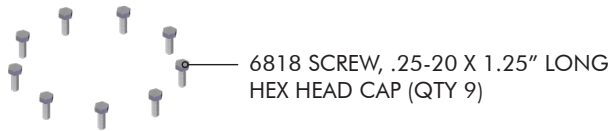
## QC100 VALVE PARTS LIST



SECTION VIEW

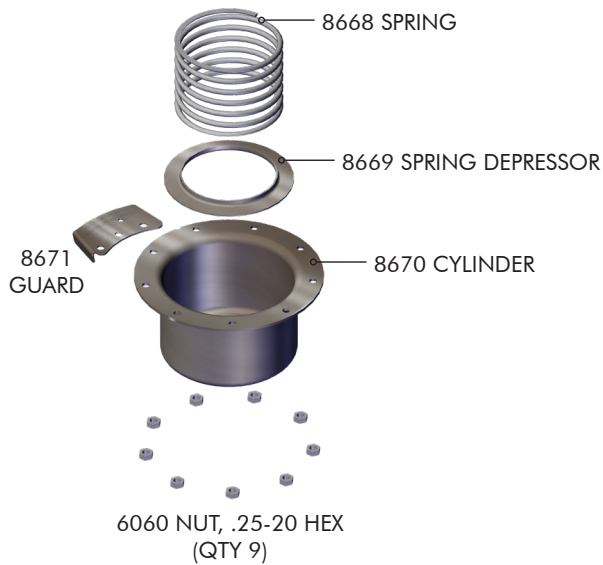
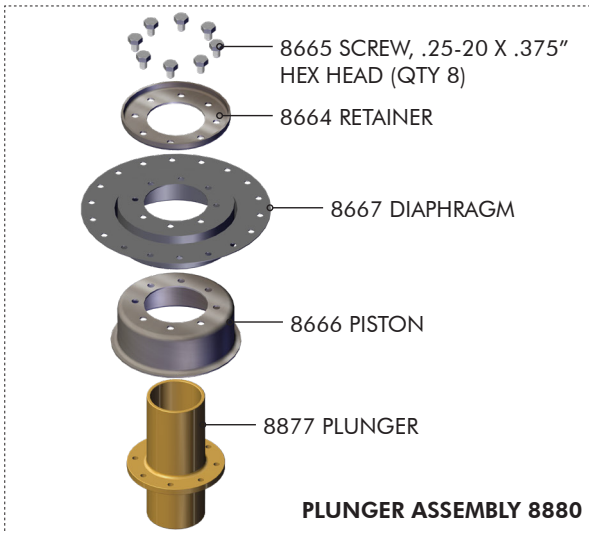
QC VALVE	CONN.	BODY	SPIDER
8654	2" FNPT	8573-000	8696
8934	2" FBSP	8573-001	8696
8799-000	3" FNPT	8734-000	8798
8799-001	3" FBSP	8734-001	8798



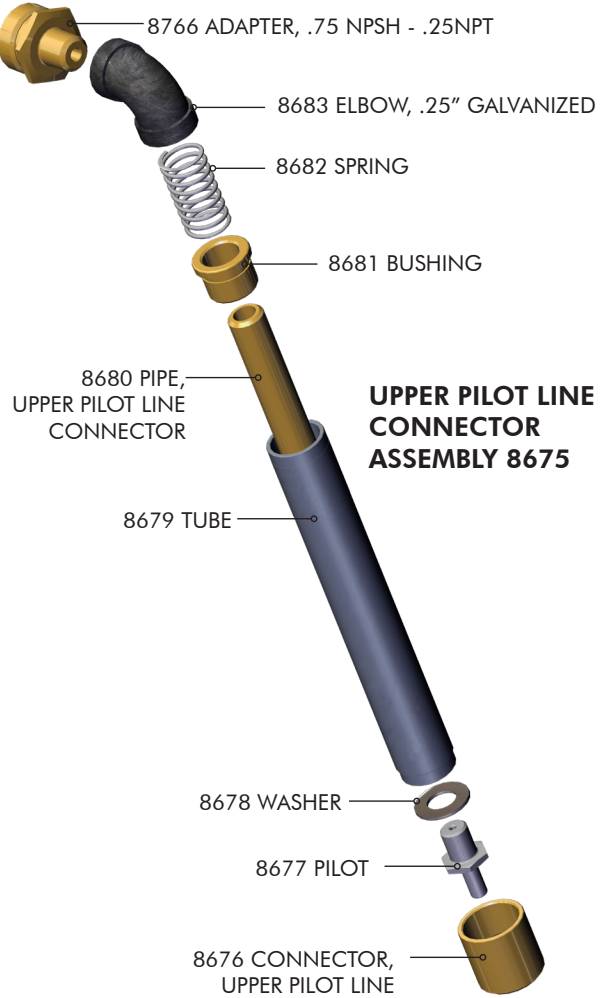
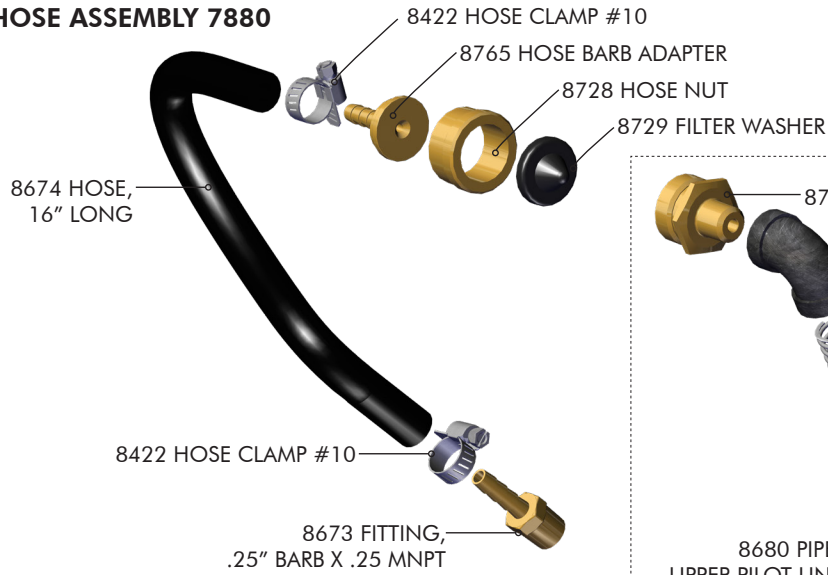


QC100 KEY	CONTROL TYPE	CONNECTION	UPPER HOUSING	ELBOW	STUD	NUT
8655-001	MANUAL	2" FNPT	8879-001	8672	-	-
8655-002	MANUAL	2" FBSP	8879-002	8672	-	-
8657-001	MANUAL	75/100 Series Big Gun®*	8878	8672	8659	6064

\*Mounts under the #10087 spacer assembly on the 75/100 Series Big Gun® Sprinkler. The Spacer is included on existing sprinklers with a threaded connection, but must be ordered separately if mounting to an existing flanged sprinkler.



## HOSE ASSEMBLY 7880



**WARRANTY AND DISCLAIMER**

Nelson products are warranted for one year from date of original sale to be free of defective materials and workmanship when used within the working specifications for which the product was designed and under normal use and service. The manufacturer assumes no responsibility for installation, is limited solely to replacement or repair of defective parts, and the manufacturer will not be liable for any crops or other consequential damages resulting from any defects or breach of warranty. THIS WARRANTY IS EXPRESSLY IN LIEU OF ALL OTHER WARRANTIES, EXPRESS OR IMPLIED, INCLUDING THE WARRANTIES OF MERCHANTABILITY AND FITNESS FOR PARTICULAR PURPOSES AND OF ALL OTHER OBLIGATIONS OR LIABILITIES OF MANUFACTURER. No agent, employee or representative of the manufacturer has authority to waive, alter or add to the provision of the warranty, nor to make any representations or warranty not contained herein.