

**PRESSURE SUSTAINING WITH SOLENOID — Internal Filter**

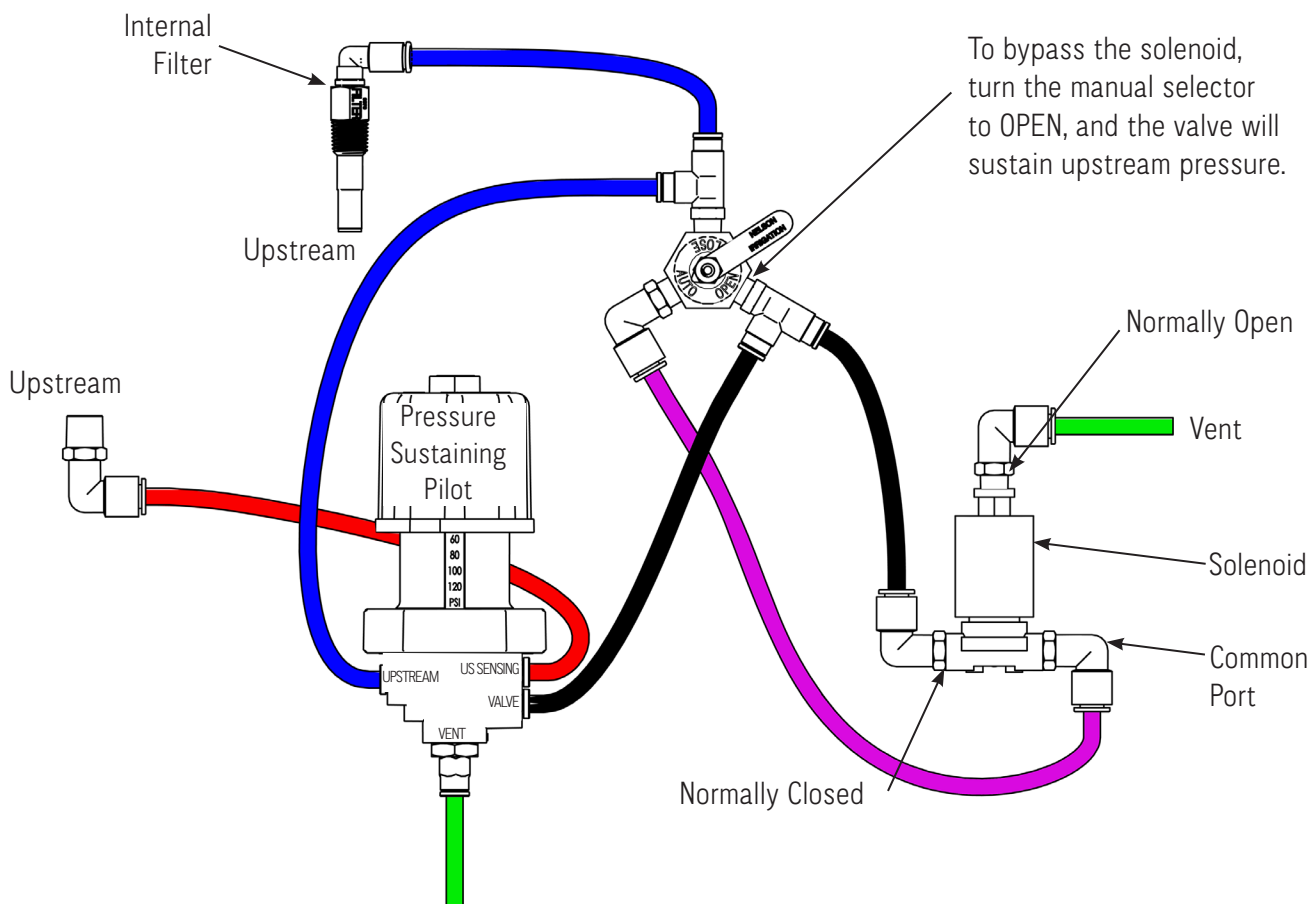
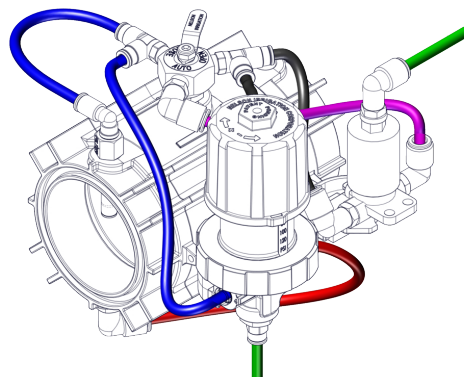
**Solenoid Logic L04 - SUSTAINING/OPEN\***

Valve Function with the Manual Selector in AUTO

**Solenoid ENERGIZED:** the valve will open when UPSTREAM pressure exceeds set point on pilot, then discharge water as required to maintain the pressure set point.

**Solenoid DE-ENERGIZED:** the valve is OPEN

\*when using this configuration above 50 psi, a special normally closed solenoid must be used. Contact factory for details



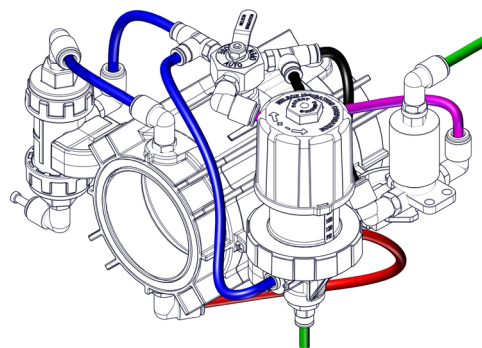
## PRESSURE SUSTAINING WITH SOLENOID — External Filter

### Solenoid Logic L04 - SUSTAINING/OPEN\*

Valve Function with the Manual Selector in AUTO

**Solenoid ENERGIZED:** the valve will open when UPSTREAM pressure exceeds set point on pilot, then discharge water as required to maintain the pressure set point.

**Solenoid DE-ENERGIZED:** the valve is OPEN



\*when using this configuration above 50 psi, a special normally closed solenoid must be used. Contact factory for details

